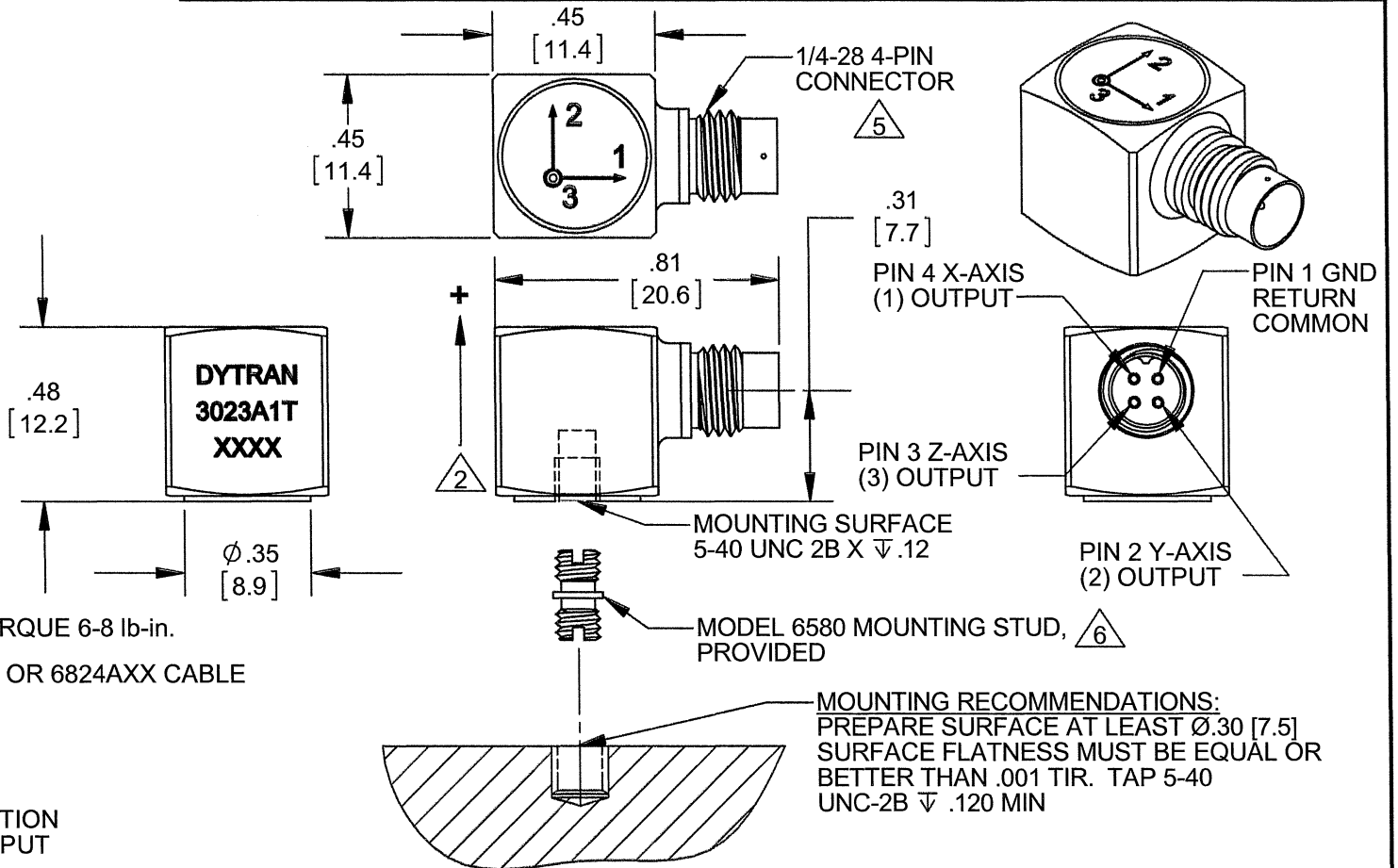


**PROPRIETARY AND CONFIDENTIAL**

THE INFORMATION CONTAINED IN THIS DRAWING IS THE SOLE PROPERTY OF DYTRAN INSTRUMENTS INC. ANY REPRODUCTION IN PART OR AS A WHOLE WITHOUT THE WRITTEN PERMISSION OF DYTRAN INSTRUMENTS, INC. IS PROHIBITED

**REVISIONS**

REV.	ECN	DESCRIPTION	BY/DATE	CHK	APPR
A	9343	REDRAWN TO CURRENT DYTRAN STANDARDS	JS 11/08/12	AB	<i>[Signature]</i>



- △ 6 RECOMMENDED MOUNTING TORQUE 6-8 lb-in.
- △ 5 MATES WITH DYTRAN 6811AXX OR 6824AXX CABLE (XX= LENGTH IN FEET)
- 4. SENSITIVITY: 10mV/g NOMINAL
- 3. WEIGHT: 6.2 GRAMS NOMINAL.
- △ 2 ARROWS INDICATE ACCELERATION DIRECTION FOR POSITIVE OUTPUT
- 1. MATERIAL: TITANIUM ALLOY

**MOUNTING RECOMMENDATIONS:**  
 PREPARE SURFACE AT LEAST Ø.30 [7.5]  
 SURFACE FLATNESS MUST BE EQUAL OR  
 BETTER THAN .001 TIR. TAP 5-40  
 UNC-2B  $\nabla$  .120 MIN

NOTES: UNLESS OTHERWISE SPECIFIED

UNLESS OTHERWISE SPECIFIED: INTERPRET DIM & TOL PER ASME Y14.5M - 1994. REMOVE BURRS. COUNTERSINK INTERNAL THDS 90° TO MAJOR DIA. CHAM EXT THDS 45° TO MINOR DIA. THD LENGTHS AND DEPTHS ARE FOR MIN FULL THDS. THDS PER MIL-S-7742. DIMENSIONS APPLY AFTER FINISHING. ALL MACHINED SURFACES. TOTAL RUNOUT WITHIN .005. BREAK SHARP EDGES .005 TO .010. MACHINED FILLET RADII .005 TO .015. WELDING SYMBOLS PER AWS A2.4. ABBREVIATIONS PER MIL-STD-12.	UNLESS OTHERWISE SPECIFIED: DIMENSIONS ARE IN INCHES. DIMENSIONS IN BRACKETS [ ] ARE IN MILLIMETERS TOLERANCES ARE: INCHES METRIC ANGLES .XX ± .03 .X ± 0.8 ± 1° .XXX ± .010 .XX ± 0.25
USED ON	NEXT ASSY
APPLICATION	
THIRD ANGLE PROJECTION USA	

MATERIAL	
FINISH	
DO NOT SCALE DRAWING	

CONTRACT NO.	
APPROVALS	
ORIG	DATE
CHK	11/08/12
APP	
APP	

**DYTRAN INSTRUMENTS, INC. MASTER ONLY IF IN RED**

TITLE: **OUTLINE DRAWING, 3023A1T TRIAXIAL ACCELEROMETER, TEDS**

SIZE	CAGE CODE	DWG. NO.	REV
<b>A</b>	<b>2W033</b>	<b>127-3023A1T</b>	<b>A</b>
SCALE: 2:1	SOLIDWORKS	SHEET 1 OF 1	

	<b>TRI AXIAL IEPE ACCELEROMETER</b>	REV B, ECN 12512, 02/25/16
--	-------------------------------------	----------------------------



- **STUD MOUNT**
- **EXCELLENT LINEARITY**
- **ULTRA LOW WEIGHT**
- **TEDS FEATURE**

**PHYSICAL**

	ENGLISH		SI	
Weight, Max.	0.22	oz	6.2	grams
Connector	4- PIN		4- PIN	
Mounting Provision	5 - 40 Tapped Hole		5 - 40 Tapped Hole	
Material, Housing/Connector	Titanium Alloy		Titanium Alloy	
Sensing Element	Quartz		Quartz	
Element Style	Shear		Shear	

**PERFORMANCE**

	ENGLISH		SI	
Sensitivity, -10 / +15% [1]	10	mV/g	1	mV/m/s <sup>2</sup>
Range for ± 5 Volts Output	±500	g	±4903	m/s <sup>2</sup>
Frequency Response	1.5 to 4000	Hz	1.5 to 4000	Hz
	±5%		1.5 to 10000	Hz
	-5 / +15%		> 40	kHz
Resonant Frequency	> 40	kHz	> 40	kHz
Broad Band Resolution	0.007	Grms	0.069	m/s <sup>2</sup> rms
Spectral Noise	1.25Hz	0.003	0.029	μm/s <sup>2</sup> rms/v(Hz)
	10Hz	0.001	0.0098	μm/s <sup>2</sup> rms/v(Hz)
	100Hz	0.0002	0.00196	μm/s <sup>2</sup> rms/v(Hz)
	1000Hz	0.00005	0.00049	μm/s <sup>2</sup> rms/v(Hz)
	10000Hz	0.00004	0.00039	μm/s <sup>2</sup> rms/v(Hz)
Linearity [2]	1	% F.S.	1	% F.S.
Maximum Transverse Sensitivity	5	%	5	%
Strain Sensitivity @ 250με	0.006	g/με	0.06	m/s <sup>2</sup> /με

**ENVIRONMENTAL**

	ENGLISH		SI	
Maximum Vibration	±600	Gpeak	±5884	m/s <sup>2</sup> peak
Maximum Shock	5000	Gpeak	49033	m/s <sup>2</sup> peak
Temperature Range	-60 to +250	°F	-51 to +121	°C
TEDS Operating Temperature	-60 to +185	°F	-51 to +85	°C
Seal	Hermetic		Hermetic	

**ELECTRICAL**

	ENGLISH		SI	
Supply Current Range [3]	2 to 20	mA	2 to 20	mA
Compliance Voltage Range	18 to 30	Volts	18 to 30	Volts
Output Impedance, Typ	100	Ω	100	Ω
Bias Voltage	7 to 11	VDC	7 to 11	VDC
Discharge Time Constant	0.3 to 1.5	Sec	0.3 to 1.5	Sec
Electrical Isolation	Case Grounded	GΩ, min	Case Grounded	GΩ, min
TEDS Feature	IEEE 1451.4		IEEE 1451.4	

**This family also includes:**

Model	Sensitivity (mV/g)	Frequency Response (Hz)	Mounting	Operating Temp (°F)
3023AT	10 (-10 to +15%)	1.5 to 10000 (-5 to +15%)	Adhesive	-60 to +250

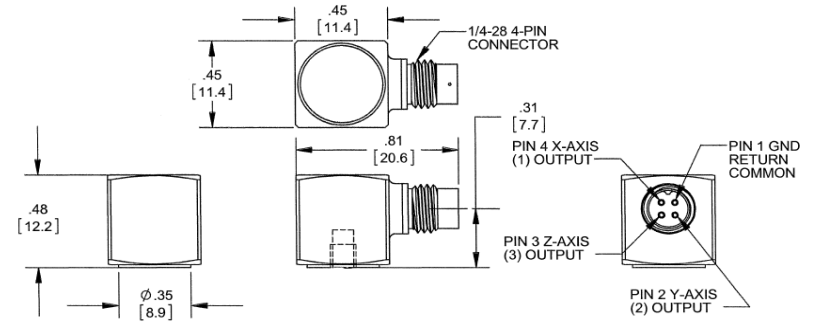
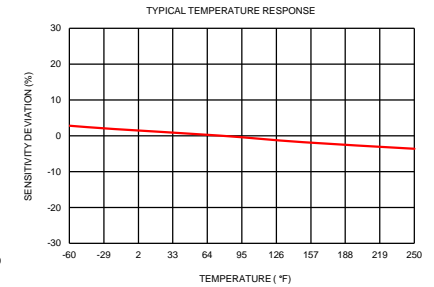
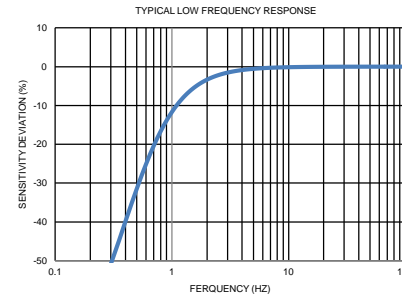
Refer to the performance specifications of the products in this family for detailed description

**Supplied Accessories:**

- 1) Accredited calibration certificate (ISO 17025)

**Notes:**

- [1] Measured at 100Hz, 1 Grms per ISA RP 37.2.
- [2] Measure using zero-based straight line method, % of F.S. or any lesser range.
- [3] Do not apply power to this system without current limiting, 20 mA MAX. To do so will destroy the IC charge amplifier.
- [4] In the interest of constant product improvement, we reserve the right to change specifications without notice.



Units on the line drawing are in inches, units in brackets are in millimeters. Refer to 127-3023A1T for more information.



21592 Marilla Street, Chatsworth, California 91311 Phone: 818.700.7818 Fax: 818.700.7880 www.dytran.com  
 For permission to reprint this content, please contact info@dytran.com