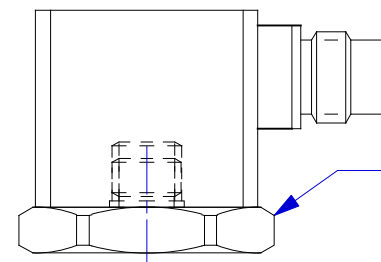
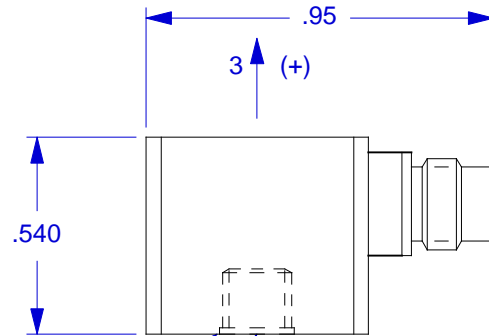
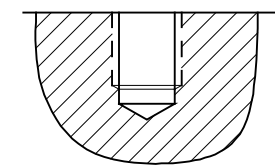
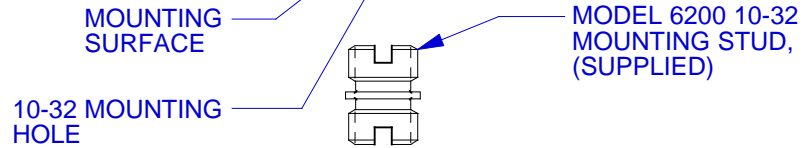


**PINOUT**  
 PIN #1 SIG/PWR AXIS 1 (X)  
 PIN #2 SIG/PWR AXIS 2 (Y)  
 PIN #3 SIG/PWR AXIS 3 (Z)  
 PIN #4 GND RETURN, COMMON

CONNECTOR MATES WITH  
 DYTRAN CABLE 6430AXX



**SUGGESTED MOUNTING METHOD:**  
 THREAD MODEL 6213 ADAPTOR  
 INTO 3093A1 HOUSING. ADHESIVE  
 MOUNT TO TEST SURFACE, (NO 10-  
 32 PORT NEEDED)



**MOUNTING PORT PREPARATION:**  
 SELECT SURFACE FLAT TO .001 TIR  
 DRILL #21 (.159) DIA. X .250 DEEP  
 BOTTOM TAP 10-32 UNF-2B X .200  
 MIN. DEPTH PERF. THD.

4. MOUNTING TORQUE ON HEX FLATS OF 6213 ADAPTOR: 10 TO 15 LB-INCHES. DO NOT OVERTORQUE.
3. SIGNAL POLARITY IS POSITIVE FOR ACCELERATION IN THE DIRECTION OF AXES ARROWS.
2. SIG/PWR GROUND IS ISOLATED FROM CASE, 10 MEGOHMS, MIN.
1. ENVIRONMENTSL SEAL: HERMETIC.

**EXCEPT AS OTHERWISE NOTED**

ALL DIMENSIONS IN INCHES  
 TOLERANCE: .XXX = ± .XX = ±

SURFACE FINISH EXCEPT AS NOTED ✓

BREAK EDGES TO DEBURR RADIUS OR CHAMFER

△ THESE DIAS ⊙ TO T.I.R.

FILLETS - MAX RAD.

		CHATSWORTH, CA.	
DATE 6/22/00		PART NO. MODEL 3093B1	
DRAWN N.C.	CHECKED R.A.	MATERIAL	
APPROVED		NEXT ASSEMBLY	USED ON 3093B1
TITLE			DWG NO.
<b>OUTLINE/INSTALLATION DRAWING,          MODEL 3093B1</b>			<b>127-3093B1</b>
			SHEET 1 OF 1

## SPECIFICATIONS, MODEL 3093B1 TRIAXIAL ACCELEROMETER

SPECIFICATIONS	VALUE	UNITS
<b>PHYSICAL</b>		
WEIGHT	13.5	GRAMS
SIZE (HEIGHT x WIDTH x DEPTH)	0.54 x .59 x .59	INCHES
MOUNTING (TAPPED HOLE IN BASE)	10-32 STUD MOUNT	
CONNECTOR [1]	4-PIN [3]	
MATERIAL, HOUSING/CONNECTOR	TITANIUM ALLOY	
<b>PERFORMANCE</b>		
SENSITIVITY, +15 -10% [2]	100	mV/G
RANGE, F.S. (each axis)	+/- 50	G
FREQUENCY RESPONSE, +/- 10%	2 to 5000	Hz
ELEMENT NATURAL FREQUENCY	>30	kHz
EQUIVALENT ELECTRICAL NOISE	.0007	G, RMS
LINEARITY [3]	1	%F.S.
TRANSVERSE SENSITIVITY, MAX., SIGNAL POLARITY	6	%
	POSITIVE FOR MOTION IN DIRECTION OF ARROWS ETCHED ON HOUSING	
<b>ENVIRONMENTAL</b>		
MAXIMUM VIBRATION	+/- 100	G
MAXIMUM SHOCK	3000	G
TEMPERATURE RANGE	-60 to +225	°F
ENVIRONMENTAL SEAL	HERMETIC	
COEFFICIENT OF THERMAL SENSITIVITY	.03	%/°F
<b>ELECTRICAL</b>		
SUPPLY CURRENT RANGE, (each axis) [4]	2-to 20	mA
COMPLIANCE (SUPPLY) VOLTAGE RANGE (each axis)	+18 to +30	VDC
OUTPUT IMPEDANCE, TYP.	100	OHMS
OUTPUT BIAS VOLTAGE	+11 to + 13	VDC
DISCHARGE TIME CONSTANT	0.5 to 1.5	SEC
GROUND ISOLATION [5]	10, MIN.	MEGOHMS

**NOTES:**

- [1] Connector mates with Dytran cable assy. Model 6430AXX. (XX = length in feet)
- [2] Reference sensitivity measured at 100 Hz, 1 G RMS per ISA RP 37.2
- [3] Linearity is % of specified full scale (or any lesser full-scale range), zero-based best-fit straight-line method.
- [4] Power only with Dytran LIVM power unit or other Dytran-compatible constant current type power unit. If power is applied without current limiting protection, the internal amplifier will be immediately destroyed.
- [5] Case ground isolation is achieved by internal means.