

PROPRIETARY AND CONFIDENTIAL

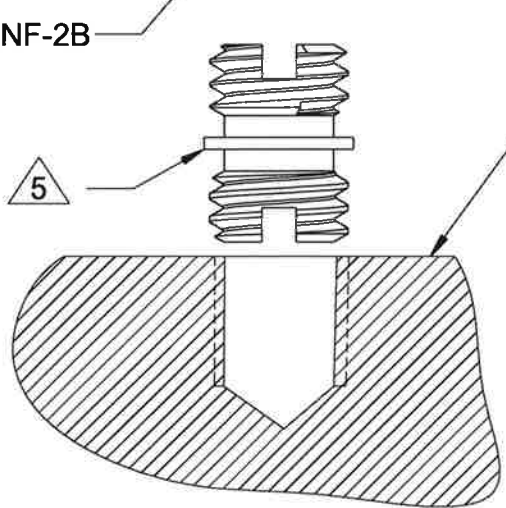
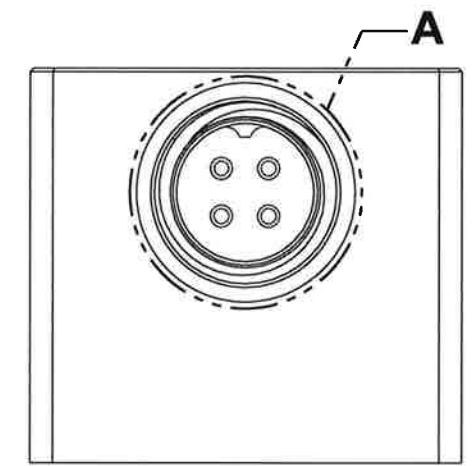
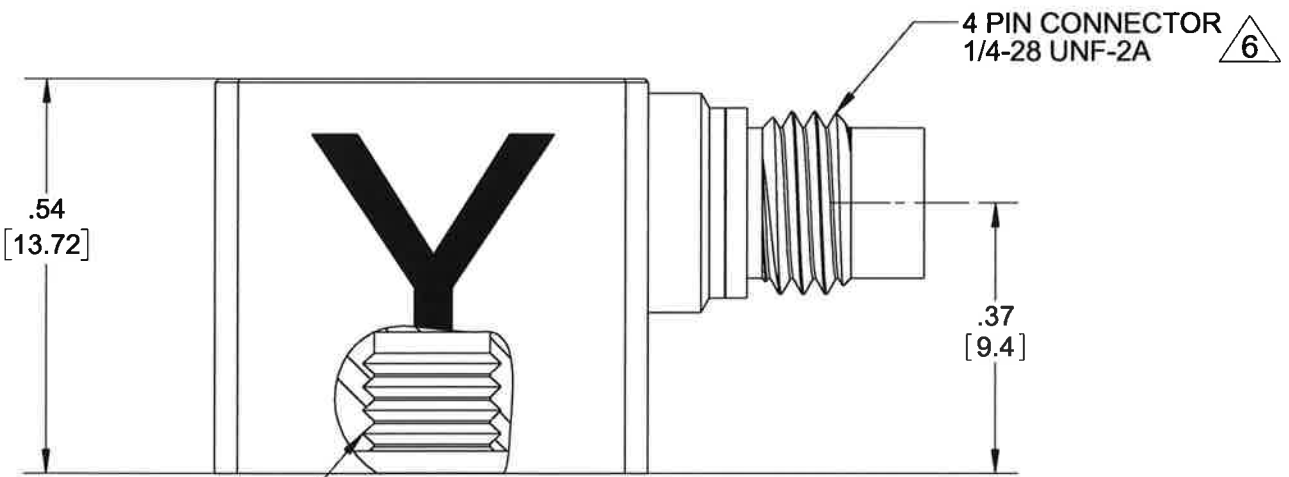
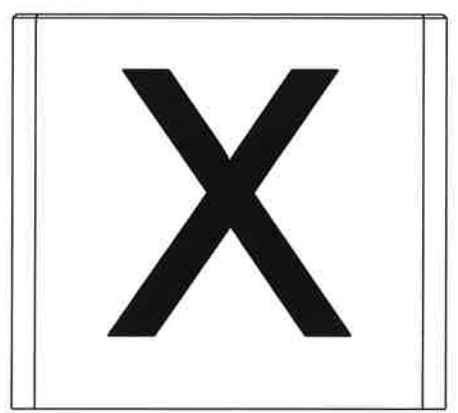
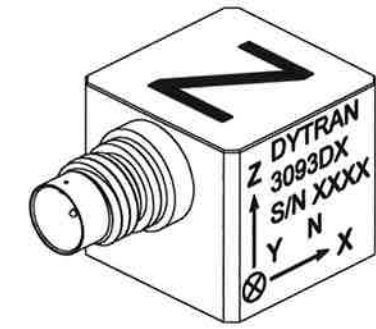
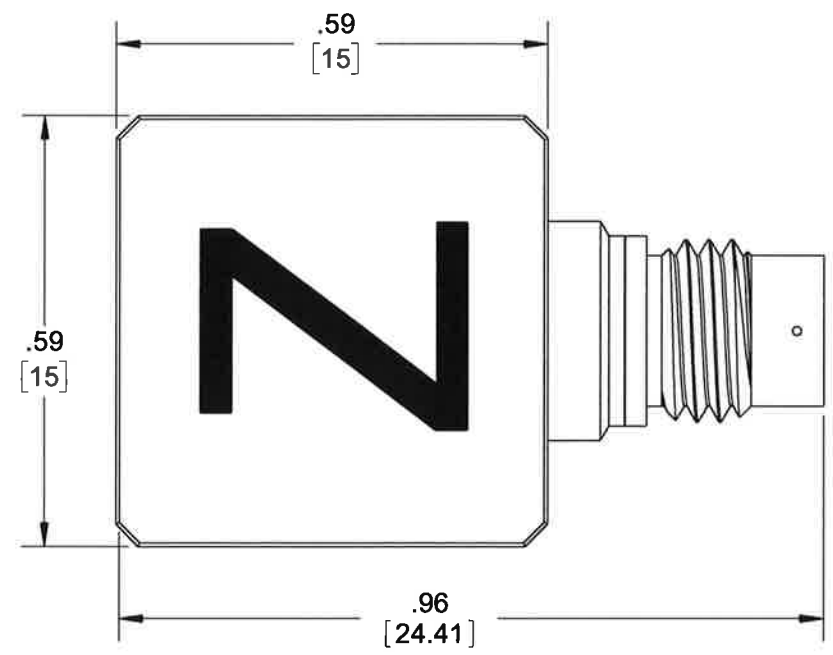
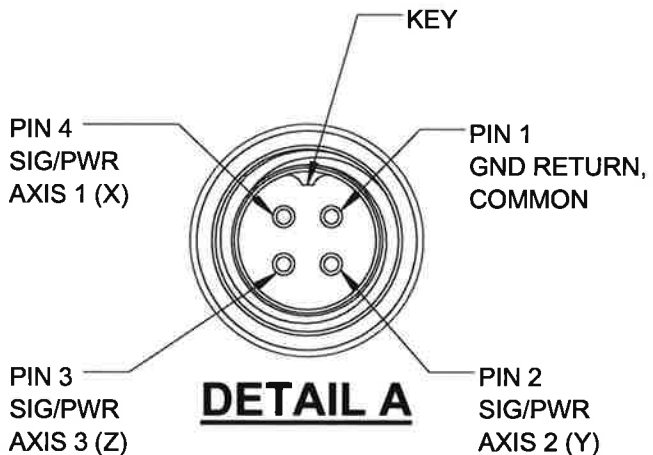
THE INFORMATION CONTAINED IN THIS DRAWING IS THE SOLE PROPERTY OF DYTRAN INSTRUMENTS INC. ANY REPRODUCTION IN PART OR AS A WHOLE WITHOUT THE WRITTEN PERMISSION OF DYTRAN INSTRUMENTS INC. IS PROHIBITED

REVISIONS

REV.	ECN	DESCRIPTION	BY/DATE	CHK	APPR
A	11879	INITIAL RELEASE	JS 11/02/16	LA	LN

VARIATION TABLE

MODEL NO.	SENSITIVITY
3093D1	1 mV/g
3093D2	5 mV/g
3093D3	10 mV/g
3093D4	20 mV/g
3093D5	25 mV/g
3093D6	50 mV/g
3093D7	100 mV/g



MOUNTING RECOMMENDATIONS:
 PREPARE MOUNTING SURFACE FLAT TO .001TIR.
 DRILL AND TAP 10-32 UNF-2B ∇ .188 [4.76] MINIMUM.
 RECOMMENDED MOUNTING TORQUE: 10-12 LB IN.
 FOR BEST FREQUENCY RESPONSE MOUNTING SURFACE
 MUST CONTACT ENTIRE ACCELEROMETER MOUNTING SURFACE.

- 6 MATES WITH DYTRAN CABLE 6811AXX (XX=LENGTH IN FEET)
 - 5 MOUNTING STUD 10-32 UNF-2A (MODEL 6200 SUPPLIED)
 - 4. ARROWS INDICATE ACCELERATION DIRECTION FOR POSITIVE OUTPUT.
 - 3. HOUSING AND CONNECTOR MATERIAL:TITANIUM
 - 2. WEIGHT: 10 GRAMS APPROX.
 - 1. ENVIRONMENTAL SEAL: HERMETIC
- NOTES: UNLESS OTHERWISE SPECIFIED

UNLESS OTHERWISE SPECIFIED:
 INTERPRET DIM & TOL PER ASME Y14.5M - 1994.
 REMOVE BURRS.
 COUNTERSINK INTERNAL THDS 90° TO MAJOR DIA.
 CHAM EXT THDS 45° TO MINOR DIA.
 THD LENGTHS AND DEPTHS ARE FOR MIN FULL THDS.
 DIMENSIONS APPLY AFTER FINISHING.

ALL MACHINED SURFACES:
 TOTAL RUNOUT WITHIN .005.
 BREAK SHARP EDGES .005 TO .010.
 MACHINED FILLET RADII .005 TO .015.
 WELDING SYMBOLS PER AWS A2.4.
 ABBREVIATIONS PER MIL-STD-12.

DECIMALS	METRIC	ANGLES
.XX ±.03	.X ± 0.8	°
.XXX ±.010	.XX ±0.25	±1°

APPROVALS	DATE
ORIG JS	11/02/16
CHK LA	11/17/16
APP LN	11/17/16


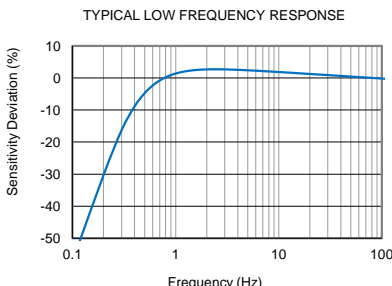
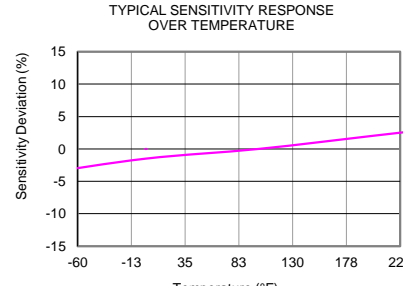
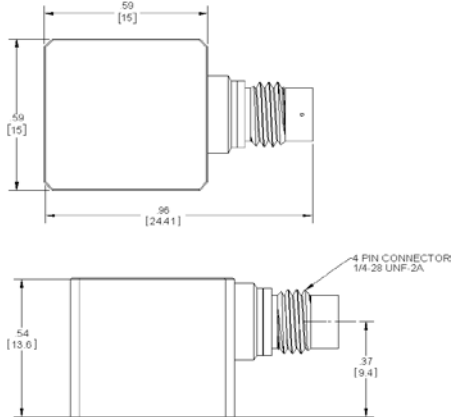

DO NOT SCALE DRAWING

DYTRAN INSTRUMENTS, INC. Chatsworth, CA
MASTER COPY
 ONLY IN RED

TITLE: **OUTLINE/ INSTALLATION DRAWING 3093D1-7**

SIZE B	CAGE CODE 2W033	DWG NO 127-3093D	REV A
---------------	------------------------	-------------------------	--------------

SCALE: 4:1 SHEET 1 OF 1

Model Number	PERFORMANCE SPECIFICATION				DOC NO
3093D6	Accelerometer, Triaxial, IEPE				PS3093D6
					REV E, ECN 13645, 08/02/17
 <ul style="list-style-type: none"> • CASE ISOLATED • HERMETICALLY SEALED • STUD MOUNTED 					
		ENGLISH	SI		
PHYSICAL					
Weight, Max.		0.35	oz	10.0	grams
Mounting Stud Mount		10-32 UNF-2A	screw	10-32 UNF-2A	screw
Connector [1]	Type	4-pin, 1/4-28		4-pin, 1/4-28	
Housing	Material	Titanium		Titanium	
	Material	Titanium		Titanium	
Isolation	Material	Case Isolated		Case Isolated	
	Mode	Shear		Shear	
Sensing Element	Material	Ceramic		Ceramic	
	Mode	Shear		Shear	
PERFORMANCE					
Sensitivity, +/-5% [2]		50	mV/g	5.1	mV/m/s ²
Acceleration Range, ±		100	Gpeak	981	m/s ² peak
Frequency Range, ±5%		.6-5000	Hz	.6-5000	Hz
Resonance Frequency		> 30	kHz	> 30	kHz
Linearity [3]		1	%F.S.	1	%F.S.
Transverse Sensitivity Max.		6	%	6	%
Noise floor		0.0014	Grms	0.01	m/s ² rms
Spectral Noise	1Hz	400	µGrms/sqr(Hz)	3924	µm/s ² rms/sqr(Hz)
	10Hz	280	µGrms/sqr(Hz)	2746.8	µm/s ² rms/sqr(Hz)
	100Hz	180	µGrms/sqr(Hz)	1765.8	µm/s ² rms/sqr(Hz)
	1000Hz	100	µGrms/sqr(Hz)	981	µm/s ² rms/sqr(Hz)
	10000Hz	40	µGrms/sqr(Hz)	392.4	µm/s ² rms/sqr(Hz)
ELECTRICAL					
Supply Current Range [4]		2 to 20	mA	2 to 20	mA
Compliance Voltage Range		+18 to +30	VDC	+18 to +30	VDC
Output Impedance, Typ.		100	Ω	100	Ω
Output Bias Voltage		+11 to +13	VDC	+11 to +13	VDC
Discharge Time Constant		0.7 to 1.7	sec	0.7 to 1.7	sec
Electrical Isolation, Min.		10	GΩ	10	GΩ
ENVIRONMENTAL					
Shock Max., ±		200	g pk	1962	m/s ²
Vibration Max., ±		120	g pk	1177	m/s ²
Operating Temperature		-60 to +225	°F	-51 to +107	°C
Seal		Hermetic		Hermetic	
Magnetic Sensitivity at 100 Gauss		0.00007	g/Gauss	0.0007	m/s ² /Gauss
Base Strain Sensitivity		0.05	g/µε	0.4905	m/s ² /µε
This family also includes:					
Model	Sensitivity (mV/g)	Range (Gpeak)	Resolution (Grms)	Oper. Temp (°F)	TC
3093D1	1	5000	0.07	-60 to +250	0.7 to 1.7
3093D2	5	1000	0.014	-60 to +250	0.7 to 1.7
3093D3	10	500	0.007	-60 to +250	0.7 to 1.7
3093D4	20	250	0.0035	-60 to +250	0.7 to 1.7
3093D5	25	200	0.0028	-60 to +235	0.7 to 1.7
3093D7	100	50	0.0007	-60 to +225	0.7 to 1.7
Refer to performance specifications of products in this family for detailed description					
Supplied Accessories:					
1) Model 6200 Mounting Stud Supplied, Qty: 1					
2) Accredited Calibration Certificate (ISO 17025)					
Notes:					
[1] Glass to Metal seal connector. Mates with Dytran cable Model 6811AXX (XX=length in feet)					
[2] Measured at 100 Hz, 1 Grms per ISA RP 37.2					
[3] Measured using zero-based straight line method, % of F.S. or any lesser range. □					
[4] Do not apply power to this device without current limiting, 20mA Max. To do so will destroy the integral IC amplifier.					
[5] In the interest of constant product improvement, we reserve the right to change specifications without notice.					
					
					
					
Units on the line drawing are in inches, units in brackets are in millimeters. Refer to 127-3093D for more information.					
					
21592 Marilla Street, Chatsworth, California 91311 Phone: 818.700.7818 Fax:818.700.7880 www.dytran.com For permission to reprint this content, please contact info@dytran.com					