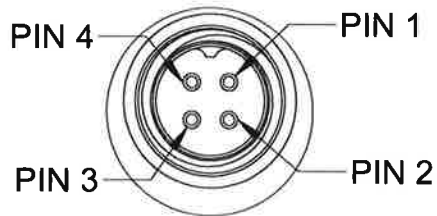


PROPRIETARY AND CONFIDENTIAL

THE INFORMATION CONTAINED IN THIS DRAWING IS THE SOLE PROPERTY OF DYTRAN INSTRUMENTS INC. ANY REPRODUCTION IN PART OR AS A WHOLE WITHOUT THE WRITTEN PERMISSION OF DYTRAN INSTRUMENTS, INC. IS PROHIBITED

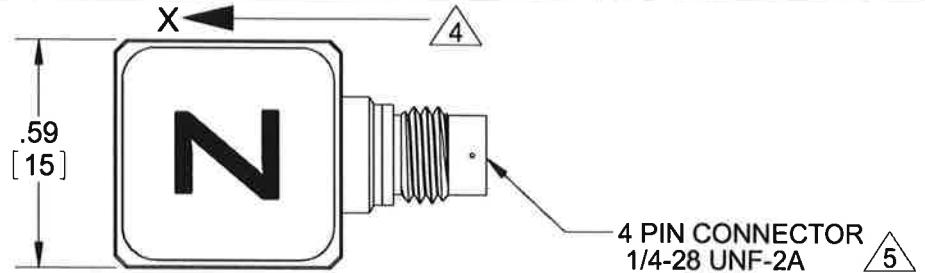
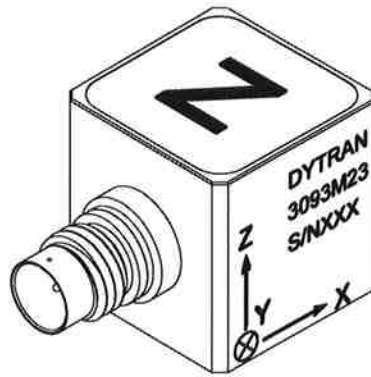
REVISIONS

REV.	ECN	DESCRIPTION	BY/DATE	CHK	APPR
C	12594	ADDED NOTE 6	JS 03/31/16	LA	AS



DETAIL A

CONNECTOR PINOUT
 PIN 1 GND RETURN, COMMON
 PIN 2 SIG/PWR AXIS 2 (Y)
 PIN 3 SIG/PWR AXIS 3 (Z)
 PIN 4 SIG/PWR AXIS 1 (X)



6. MINOR VOIDS, SCARS, SCRATCHES AND MOUNTING BLEMISH/WITNESS MARKS ON EXTERIOR SURFACES ARE ALLOWED DUE TO RESTRAINING AND HANDLING DURING TESTING, TRANSPORT OR PROCESSING. THESE APPEAR AS INDICATORS THAT DO NOT AFFECT FORM, FIT OR FUNCTION AS INTENDED BY DESIGN OR APPLICATION

5 MATES WITH DYTRAN CABLE 6811AXX (XX=LENGTH IN FEET)

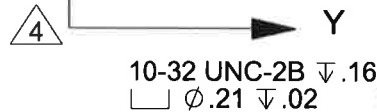
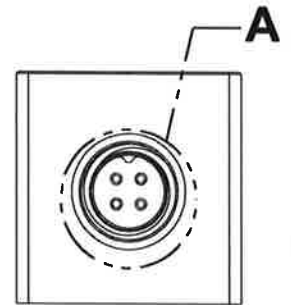
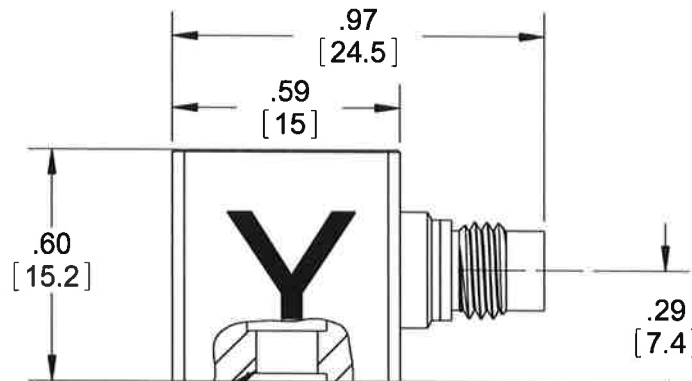
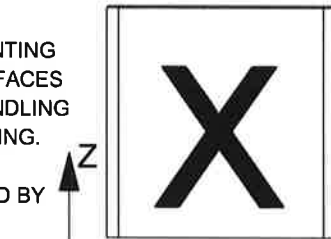
4 ARROWS INDICATE ACCELERATION DIRECTION FOR POSITIVE OUTPUT.

3. HOUSING AND CONNECTOR MATERIAL: TITANIUM

2. WEIGHT: 15 GRAMS MAX.

1. ENVIRONMENTAL SEAL: HERMETIC

NOTES: UNLESS OTHERWISE SPECIFIED



MODEL 6200
 MTG STUD
 (SUPPLIED)

MOUNTING SURFACE PREPARATION: SELECT SURFACE FLAT TO .001 TIR
 TAP 10-32 UNF-2B X .200 MIN THD DEPTH. RECOMMENDED TORQUE 10-12 LB-IN.

USED ON	NEXT ASSY
APPLICATION	
THIRD ANGLE PROJECTION USA	

UNLESS OTHERWISE SPECIFIED:
 INTERPRET DIM & TOL PER ASME Y14.5M - 1994.
 REMOVE BURRS.
 COUNTERSINK INTERNAL THDS 90° TO MAJOR DIA.
 CHAM EXT THDS 45° TO MINOR DIA.
 THD LENGTHS AND DEPTHS ARE FOR MIN FULL THDS.
 THDS PER MIL-S-7742.
 DIMENSIONS APPLY AFTER FINISHING.
 ALL MACHINED SURFACES.
 TOTAL RUNOUT WITHIN .005.
 BREAK SHARP EDGES .005 TO .010.
 MACHINED FILLET RADII .005 TO .015.
 WELDING SYMBOLS PER AWS A2.4.
 ABBREVIATIONS PER MIL-STD-12.

UNLESS OTHERWISE SPECIFIED: DIMENSIONS ARE IN INCHES. DIMENSIONS IN BRACKETS [] ARE IN MILLIMETERS	
TOLERANCES ARE:	
INCHES	METRIC
.XX ± .03	X ± 0.8 ± 1°
.XXX ± .010	.XX ± 0.25
MATERIAL	
FINISH	
DO NOT SCALE DRAWING	

CONTRACT NO.	
APPROVALS	DATE
ORIG	RT 08/16/11
CHK	DV 08/27/11
APP	RT 08/30/11
APP	

DYTRAN INSTRUMENTS, INC. Chatsworth, CA

MASTER ONLY IF IN RED

TITLE:
OUTLINE/INSTALLATION DRAWING 3093M23

SIZE	CAGE CODE	DWG. NO.	REV
A	2W033	127-3093M23	C

SCALE: 2:1 SOLIDWORKS SHEET 1 OF 1

3093M23

PERFORMANCE SPECIFICATION

DOC NO PS3093M23

Accelerometer, Triaxial, IEPE

REV C, ECN 10287, 08/16/2013



- GROUND ISOLATED
- HERMETICALLY SEALED
- STUD MOUNT

ENGLISH	SI
---------	----

PHYSICAL

Weight, Max
Mounting
Connector [1]
Housing
Sensing Element

ENGLISH	SI
0.5 oz	15 grams
10-32 Stud Mount	10-32 Stud Mount
4-pin	4-pin
Ti-6 AL-4V	Ti-6 AL-4V
Ti-6 AL-4V	Ti-6 AL-4V
Case Isolated	Case Isolated
Piezoelectric	Piezoelectric
Shear	Shear

PERFORMANCE

Sensitivity, ±5% [2]
Acceleration Range, ±
Frequency Range, ±5%
Frequency Range, ±15%
Frequency Range, ±3dB
Resonance Frequency
Linearity [3]
Transverse Sensitivity, Max
Noise floor
Spectral Noise

ENGLISH	SI
5 mV/g	0.51 mV/m/s ²
1000 Gpeak	9810 m/s ² peak
3.3-1000 Hz	3.3-1000 Hz
2.2-3000 Hz	2.2-3000 Hz
1.1-6000 Hz	1.1-6000 Hz
>50 kHz	>50 kHz
1 %F.S.	1 %F.S.
6 %	6 %
0.007 Grms	0.069 m/s ² rms
1Hz 1000 μGrms/sqr(Hz)	9810 μm/s ² rms/sqr(Hz)
10Hz 500 μGrms/sqr(Hz)	4905 μm/s ² rms/sqr(Hz)
100Hz 100 μGrms/sqr(Hz)	981 μm/s ² rms/sqr(Hz)
1000Hz 60 μGrms/sqr(Hz)	589 μm/s ² rms/sqr(Hz)
10000Hz 50 μGrms/sqr(Hz)	491 μm/s ² rms/sqr(Hz)

ELECTRICAL

Supply Current Range [4]
Compliance Voltage Range
Output Impedance, Typ.
Output Bias Voltage
Discharge Time Constant

ENGLISH	SI
2 to 20 mA	2 to 20 mA
+18 to +30 VDC	+18 to +30 VDC
100 Ω	100 Ω
+7 to +11 VDC	+7 to +11 VDC
0.15 to 0.5 Sec	0.15 to 0.5 Sec

ENVIRONMENTAL

Shock Max
Vibration Max
Operating Temperature
Seal
Base Strain Sensitivity

ENGLISH	SI
5000 g pk	49050 m/s ²
1500 g pk	14715 m/s ²
-60 to +250 °F	-51 to +121 °C
Hermetic	Hermetic
0.002 g/με	0.02 m/s ² /με

This family also includes:

Model	Sensitivity (mV/g)	Range (Gpeak)	Noise Resolution (Grms)	Temp Range (°F)	Time Constant (sec)

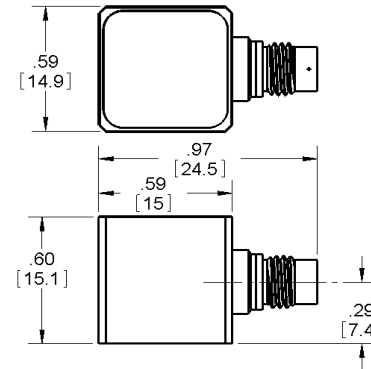
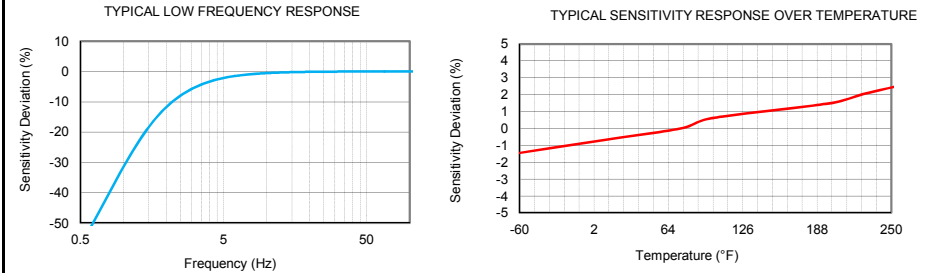
Please refer to the performance specifications of the products in this family for detailed description.

Supplied Accessories:

- 1) Accredited Calibration Certificate (ISO 17025).
- 2) Mounting stud model 6200, (10-32 to 10-32).

Notes:

- [1] Glass to Metal Seal connector. Mates with Dytran cable Model 6811AXX (XX=length in feet).
- [2] Measured At 100 Hz, 1 Grms per ISA RP 37.2.
- [3] Measured using zero-based best straight-line method.
- [4] Do not apply power to this device without current limiting, 20mA Max, to do so will destroy the integral IC amplifier.



Units on the line drawing are in inches, units in brackets are in millimeters. Refer to 127-3093M23 for more information.



21592 Marilla Street, Chatsworth, California 91311 Phone: 818.700.7818 Fax:818.700.7880
www.dytran.com For permission to reprint this content, please contact info@dytran.com