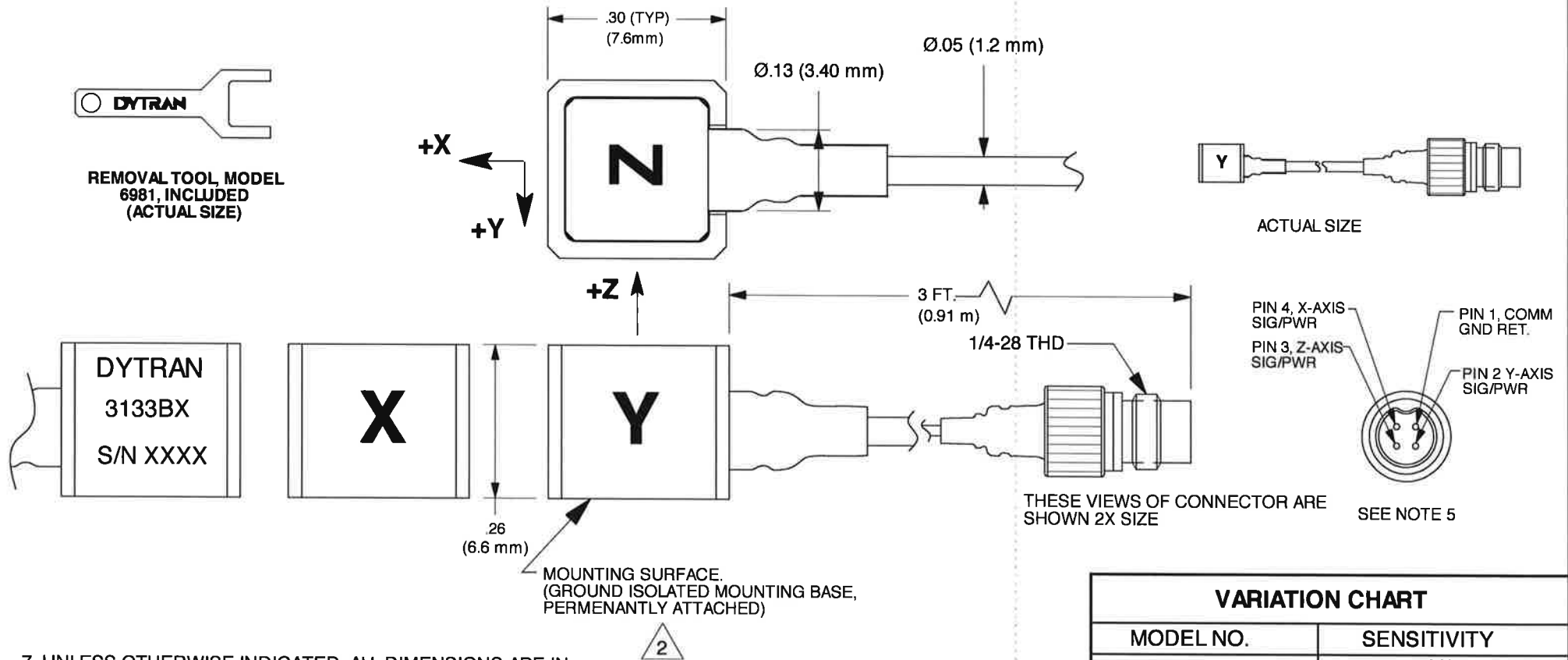


**DYTRAN PROPRIETARY AND CONFIDENTIAL**  
 THE INFORMATION CONTAINED IN THIS DRAWING IS THE SOLE PROPERTY OF  
 DYTRAN INSTRUMENTS, INC. AND ANY REPRODUCTION IN PART OR AS A WHOLE  
 OR ANY OTHER DISSEMINATION OF THIS INFORMATION WITHOUT THE WRITTEN  
 PERMISSION OF DYTRAN INSTRUMENTS, INC. IS PROHIBITED.

REV	ECN	DESCRIPTION	BY/DATE	CHK	APPR
A	9456	INITIAL RELEASE	NC/12-21-12	EP	DV
B	12409	UPDATED VIEW OF CONNECTOR (KNURLING)	JS 12/15/15	LA	AS



7. UNLESS OTHERWISE INDICATED, ALL DIMENSIONS ARE IN INCHES. mm DIMENSIONS ARE INDICATED BY PARENTHESES.

INCHES	METRIC	ANGLES
.XX ±.03	.X ± 0.8	± 1°
.XXX ±.010	.XX ± 0.25	

- MODEL 6298 PETRO MOUNTING WAX IS INCLUDED.
- MATING CABLES ARE MODELS 6824AXX (SANOPRENE), OR 6811AXX, (TEFLON) 4-PIN CONNECTOR TO 3 BNC's. "XX" IS THE CABLE LENGTH IN FEET.
- HOUSING MATERIAL: TITANIUM. GND. ISO BASE: ANODIZED ALUMINUM.
- THE LETTERS "X", "Y", & "Z" INDICATE THE DIRECTION OF ACCELERATION OF EACH AXIS FOR POSITIVE GOING OUTPUT VOLTAGE (AS THE MARKED SURFACE ACCELERATES TOWARD THE VIEWER.) SEE DIRECTIONAL ARROWS ON FACE OF DRAWING.
- FOR BEST FREQUENCY RESPONSE, PREPARE FLAT MOUNTING SURFACE OF AT LEAST .45 DIAMETER, FLAT TO .0001 TIR. APPLY ONE OR TWO DROPS OF CYANOACRYLATE ADHESIVE TO MOUNT THE ACCELEROMETER.
- WEIGHT, LESS CABLE: 0.9 GRAMS.

VARIATION CHART	
MODEL NO.	SENSITIVITY
3133B1	9-14 mV/g
3133B2	2-5 mV/g
3133B3	5-10 mV/g

**DYTRAN INSTRUMENTS, INC. MASTER ONLY IF IN RED** CHATSWORTH, CA.

SCALE 4X	DESIGN N.C.	DATE 12-21-12		
DRAWN N.C.	DATE 5-21-12	PART NO. MODEL 3133B1, B2 & B3		
CHECKED D.V.	DATE 5-21-12	MAT'L		REV B
APPROVED D.V.	DATE 5-21-12	NEXT ASSEMBLY	USED ON 3133B SERIES	
TITLE <b>OUTLINE/INSTALLATION DRAWING, MODEL 3133B1, B2 &amp; B3 GROUND-ISOLATED TRIAXIAL ACCELEROMETERS</b>			DWG NO. <b>127-3133B</b>	
			SHEET 1 OF 1	



- **ULTRA MINIATURE SIZE**
- **HIGH SENSITIVITY**
- **IDEAL LOW FREQUENCY RESPONSE**
- **GROUND ISOLATED**

ENGLISH		SI	
Weight	0.03 oz	0.8	grams
Mounting	Adhesive	Adhesive	
Integral Cable	Length: 3 ft	914	mm
	Type: TFE	TFE	
Connector	Type: 4-pin	4-pin	
Housing	Material: Titanium	Titanium	
Isolation Cup	Material: Anodized Al	Anodized Al	
Sensing Element	Material: Ceramic	Ceramic	
	Mode: Shear	Shear	

**PHYSICAL**  
 Weight  
 Mounting  
 Integral Cable  
 Connector  
 Housing  
 Isolation Cup  
 Sensing Element

**PERFORMANCE**  
 Sensitivity [1], [2], ±15%  
 Acceleration Range  
 Frequency Range, ±5%  
 Frequency Range, ±10%  
 Resonance Frequency  
 Transverse Sensitivity  
 Noise floor  
 Spectral Noise

Sensitivity [1], [2], ±15%	10 mV/g	1.02	mV/m/s <sup>2</sup>
Acceleration Range	500 Gpeak	4905	m/s <sup>2</sup> peak
Frequency Range, ±5%	0.3 to 6000 Hz	0.3 to 6000	Hz
Frequency Range, ±10%	0.25 to 10000 Hz	0.25 to 10000	Hz
Resonance Frequency	>35 kHz	>35	kHz
Transverse Sensitivity	6 %	6	%
Noise floor	0.02 Grms	0.20	m/s <sup>2</sup> rms
Spectral Noise	1Hz	4000	μGrms/sqr(Hz)
	10Hz	2000	μGrms/sqr(Hz)
	100Hz	500	μGrms/sqr(Hz)
	1000Hz	200	μGrms/sqr(Hz)
	10000Hz	90	μGrms/sqr(Hz)

**ENVIRONMENTAL**  
 Shock  
 Vibration  
 Operating Temperature  
 Seal  
 Magnetic Sensitivity at 100 Gauss  
 Base Strain Sensitivity

Shock	3000 Gpeak	29430	m/s <sup>2</sup>
Vibration	900 Gpeak	8829	m/s <sup>2</sup>
Operating Temperature	-60 to +250 °F	-51 to 121	°C
Seal	Epoxy	Epoxy	
Magnetic Sensitivity at 100 Gauss	0.00004 g/Gauss	0.00039	m/s <sup>2</sup> /Gauss
Base Strain Sensitivity	0.15 g/με	1.47	m/s <sup>2</sup> /με

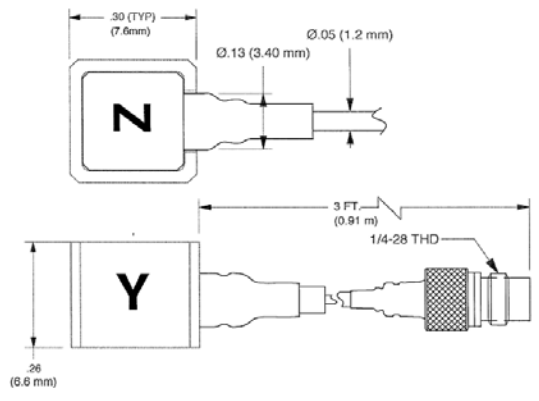
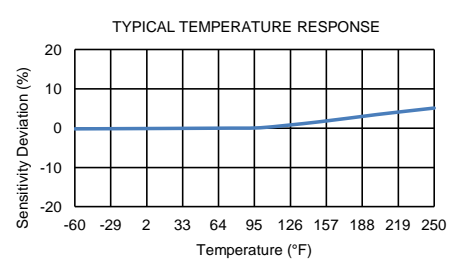
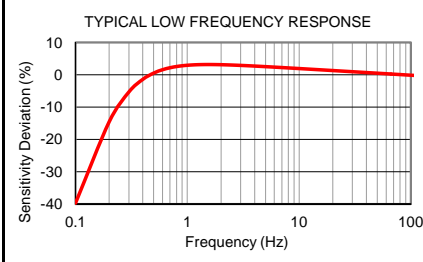
**ELECTRICAL**  
 Compliance Voltage  
 Current Range  
 Discharge Time Constant  
 Case Isolation, Min  
 Bias Voltage  
 Output Impedance

Compliance Voltage	+18 to +30 VDC	+18 to +30	VDC
Current Range	2 to 20 mA	2 to 20	mA
Discharge Time Constant	1.0 to 1.5 seconds	1.0 to 1.5	seconds
Case Isolation, Min	10 GΩ	10	GΩ
Bias Voltage	+8 to +10 VDC	+8 to +10	VDC
Output Impedance	100 Ω	100	Ω

**This family also includes:**

Model	Sensitivity (mV/g)	Range (Gpeak)	Resolution (Grms)	Oper. Temp(°F)	TC
3133B2	2	2500	0.15	-60 to 300	0.3 to 0.5
3133B3	5	1000	0.06	-60 to 250	1.0 to 1.5

Please, refer to the performance specifications of the products in this family for detailed description  
**Supplied Accessories:**  
 1) Model 6298 small petro wax  
 2) Model 6741 removal tool  
 3) Accredited calibration certificate (ISO 17025)  
**Notes:**  
 [1] Measured at 100 Hz, 10 Grms  
 [2] Actual sensitivity is given on a calibration certificate  
 [3] Do not apply power to this device without current limiting, 20mA max, to do so will destroy the integral IC amplifier



Units on the line drawing are in inches, units in brackets are in millimeters. Refer to 127-3133B for more information.

