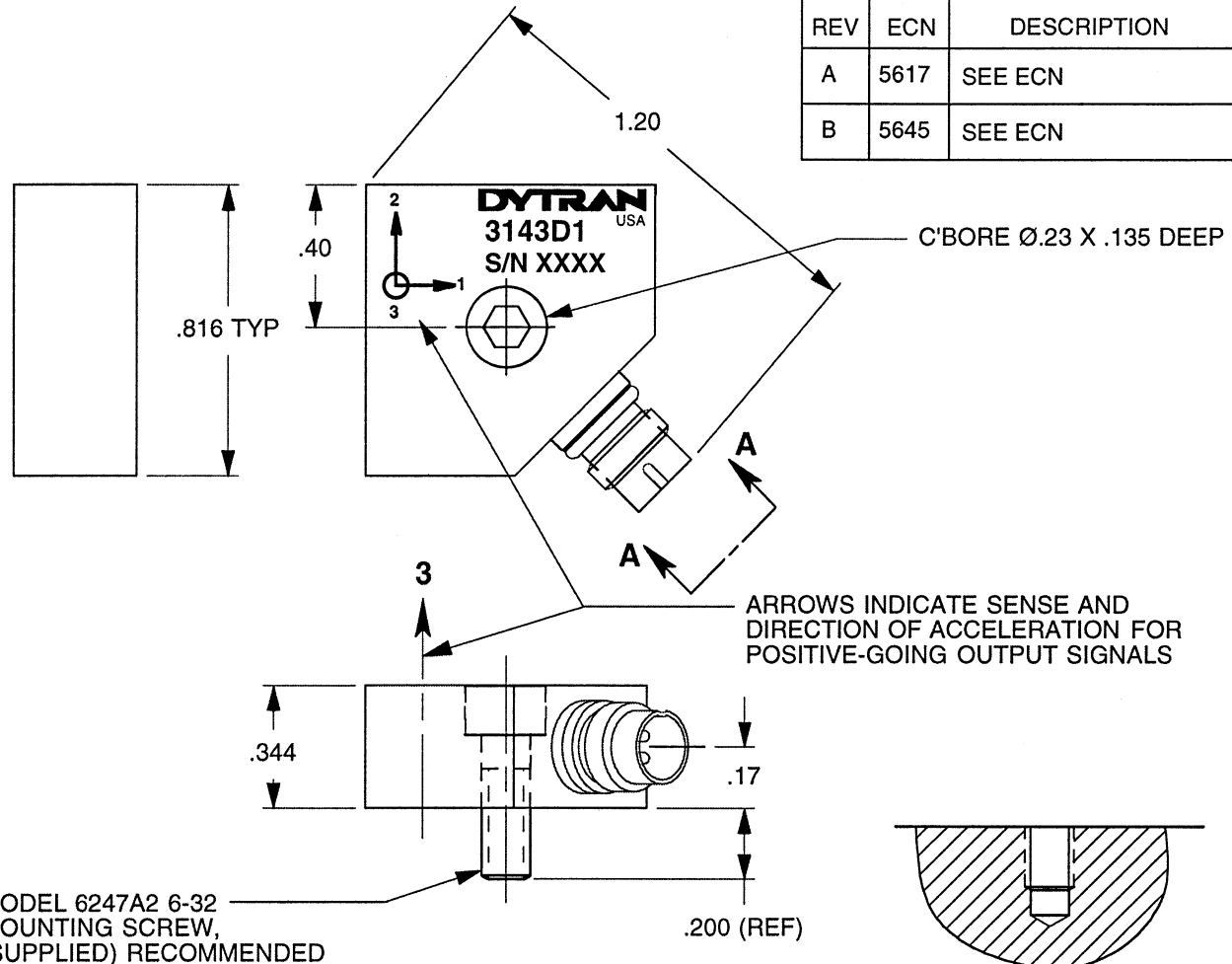


REV	ECN	DESCRIPTION	BY/DATE	CHK	APPR
A	5617	SEE ECN	RLA 11/20/08	JS	ANS
B	5645	SEE ECN	RLA 12/5/08	JS	ANS



VIEW A-A LOOKING INTO CONNECTOR WITH CABLE DISCONNECTED

PINOUT
 PIN #1 GND RETURN, COMMON
 PIN #2 SIG/PWR AXIS 2 (Y)
 PIN #3 SIG/PWR AXIS 3 (Z)
 PIN #4 SIG/PWR AXIS 1 (X)

ARROWS INDICATE SENSE AND DIRECTION OF ACCELERATION FOR POSITIVE-GOING OUTPUT SIGNALS

MOUNTING PORT PREPARATION: DRILL #36 (Ø .1065) X .270 DEEP TAP 6-32 UNC-2B X .22 DEEP, MIN.

MODEL 6247A2 6-32 MOUNTING SCREW, (SUPPLIED) RECOMMENDED MOUNTING TORQUE: 10-15 LB-INCHES

5. RECOMMENDED CABLES: MODEL 6041CXX, FOR CONNECTION TO DYTRAN POWER UNITS 4113B AND 4103C. MODEL 6811AXX FOR CONNECTION TO MODEL 4114B FOUR-CHANNEL POWER UNIT.
4. WEIGHT: 14 GRAMS.
3. SIGNAL GROUND IS INSULATED FROM CASE GROUND.
2. ENVIRONMENTAL SEAL: HERMETIC.
1. HOUSING/CONNECTOR MATERIAL: TITANIUM.

EXCEPT AS OTHERWISE NOTED

ALL DIMENSIONS IN INCHES
 TOLERANCE: .XXX = ± .XX = ± .01

SURFACE FINISH EXCEPT AS NOTED ✓

BREAK EDGES TO DEBURR RADIUS OR CHAMFER

THESE DIAS ⊙ TO T.I.R.

FILLETS - MAX RAD.

DYTRAN INSTRUMENTS, INC.		MASTER ONLY IF IN RED		CHATSWORTH, CA.	
SCALE 2X	REV -	DATE SEE REV BLK	ECN -		
DATE 4/2/02	PART NO. MODEL 3143D1				
DRAWN N.C.	CHECKED R.A.	MAT'L			
APPROVED ANS 11/20/08	NEXT ASSEMBLY		USED ON 3143D1		
TITLE OUTLINE/INSTALLATION DRAWING, MODEL 3143D1, 100 mV/G				DWG NO. 127-3143D1	
				SHEET 1 OF 1	

Model Number
3143D1

PERFORMANCE SPECIFICATIONS

DOC NO
PS3143D1

IEPE TRIAXIAL ACCELEROMETER

REV A, ECN 11933 , 06/10/15



- HERMETICALLY SEALED
- EXCELLENT LINEARITY

This family also includes:

Model	Sensitivity (mV/g)	Frequency Response (Hz)	Time Constant (Sec)	Operating Temp (°F)
3143D	10 mV/g	0.5 to 3000	0.8 to 2.0	-60 to 185
3143D2	50 mV/g	0.5 to 3000	0.8 to 2.0	-60 to 185

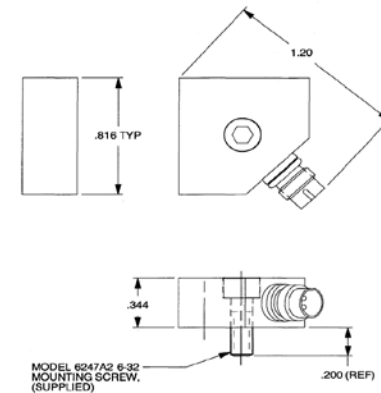
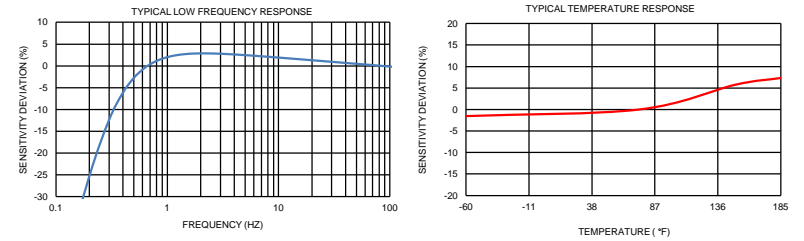
Refer to the performance specifications of the products in this family for detailed description

Supplied Accessories:

- 1) Accredited calibration certificate (ISO 17025)
- 2) Mounting screw Model 6247A2

Notes:

- [1] Radially mounted 4-pin connector. Mates with Dytran cable Model 6811A.
- [2] Measured at 100Hz, 1 Grms per ISA RP 37.2.
- [3] Measured using zero-based straight line method, % of F.S. or any lesser range.
- [4] Do not apply power to this system without current limiting, 20 mA MAX. To do so will destroy the amplifier.
- [5] In the interest of constant product improvement, we reserve the right to change specifications without notice.



Units on the line drawing are in inches, units in brackets are in millimeters. Refer to 127-3143D1 for more information.

ENGLISH		SI	
0.49	oz	14	grams
4-Pin		4-Pin	
6-32 Mounting Screw		6-32 Mounting Screw	
Titanium		Titanium	
Ceramic		Ceramic	
Planar Shear		Planar Shear	
100	mV/g	10	mV/m/s ²
±50	g peak	±490.5	m/s ²
0.5 to 3000	Hz	0.5 to 3000	Hz
> 25	kHz	> 25	kHz
0.0007	g rms	0.007	m/s ² rms
± 1	% F.S.	± 1	% F.S.
5	%	5	%
0.012	g/μe	0.12	m/s ² /μe
±600	g peak	±5886	m/s ² peak
±1500	g peak	±14715	m/s ² peak
-60 to 185	°F	-51 to 85	°C
-100 to 225	°F	-73 to 107	°C
Hermetic		Hermetic	
2 to 20	mA	2 to 20	mA
+18 to +30	Volts	+18 to +30	Volts
100	Ω	100	Ω
+11 to +12.5	VDC	+11 to +12.5	VDC
0.8 to 2.0	Sec	0.8 to 2.0	Sec
10	GΩ,min	10	GΩ,min

PHYSICAL

Weight, Max. Type
Connector [1] Thru Hole
Mounting Provision
Material, Housing/Connector
Sensing Element
Element Style

PERFORMANCE

Sensitivity, ±5% [2]
Range for ± 5 Volts Output
Frequency Response, ±5%
Resonant Frequency
Broad Band Resolution
Linearity [3]
Maximum Transverse sensitivity
Strain Sensitivity @ 250μe

ENVIRONMENTAL

Maximum Vibration
Maximum Shock
Operating Temperature Range
Survival Temperature Range
Seal

ELECTRICAL

Supply Current Range [4]
Compliance Voltage Range
Output Impedance, Typ
Bias Voltage
Discharge Time Constant
Electrical Isolation



21592 Marilla Street, Chatsworth, California 91311 Phone: 818.700.7818 Fax:818.700.7880 www.dytran.com
For permission to reprint this content, please contact info@dytran.com