

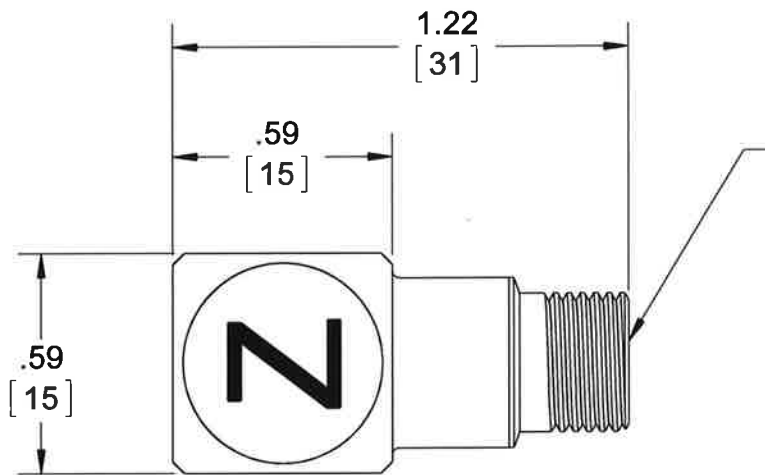
PROPRIETARY AND CONFIDENTIAL

THE INFORMATION CONTAINED IN THIS DRAWING IS THE SOLE PROPERTY OF DYTRAN INSTRUMENTS INC. ANY REPRODUCTION IN PART OR AS A WHOLE WITHOUT THE WRITTEN PERMISSION OF DYTRAN INSTRUMENTS INC. IS PROHIBITED

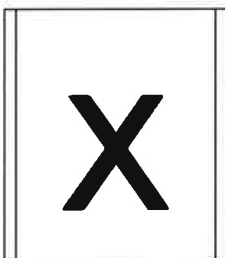
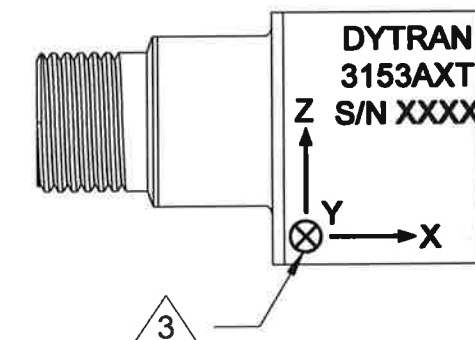
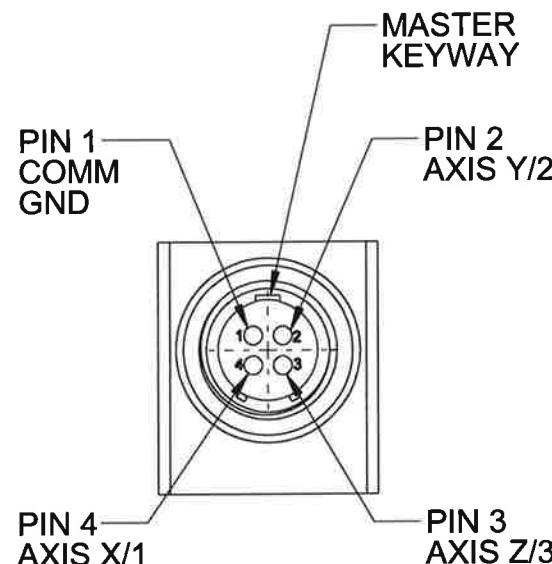
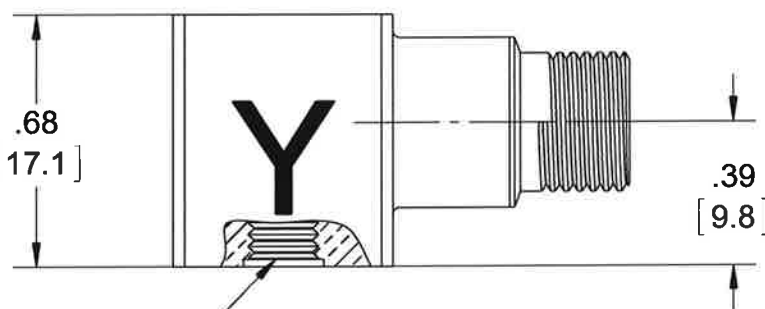
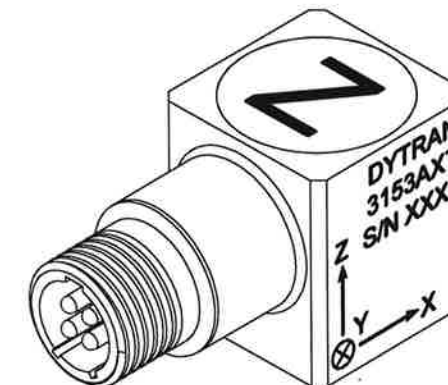
REVISIONS

REV.	ECN	DESCRIPTION	BY/DATE	CHK	APPR
A	12222	INITIAL RELEASE	NDC 09/29/15	W	R

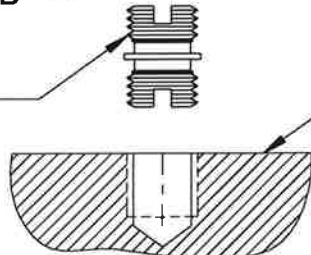
MODEL	SENSITIVITY	RANGE
3153A1T	10 mV/g	±500 g
3153A2T	50 mV/g	±100 g
3153A3T	100 mV/g	±50 g



CONNECTOR, 4-PIN, 3/8-28 UN-2A GLENAIR P/N: 800-013-03Z16-4PN ⁴



MOUNTING STUD, MODEL 6200, 10-32 TO 10-32, SUPPLIED



MOUNTING RECOMMENDATION: PREPARE A .55 [14] X .55 [14] MIN SURFACE, FLAT TO .001 TIR. TAP 10-32 UNF-2B ∇ .15 [3.8] MIN. MOUNTING TORQUE: 10-12 Lb-in.

⁴ MATES WITH DYTRAN CABLES: 6390AXX (4-PIN TO 3 10-32 PLUGS) 6669AXX (4-PIN TO FLYING LEADS) ("XX" DENOTES LENGTH IN FEET)

³ ARROWS INDICATE DIRECTIONS OF ACCELERATION FOR POSITIVE OUTPUT

2. WEIGHT: 35 GRAMS, MAX.

1. ENVIRONMENTAL SEAL: HERMETIC

NOTES: UNLESS OTHERWISE SPECIFIED

UNLESS OTHERWISE SPECIFIED: INTERPRET DIM & TOL PER ASME Y14.5M - 1994. REMOVE BURRS. COUNTERSINK INTERNAL THDS 90° TO MAJOR DIA. CHAM EXT THDS 45° TO MINOR DIA. THD LENGTHS AND DEPTHS ARE FOR MIN FULL THDS. DIMENSIONS APPLY AFTER FINISHING.

ALL MACHINED SURFACES ⁶³ TOTAL RUNOUT WITHIN .005. BREAK SHARP EDGES .005 TO .010. MACHINED FILLET RADII .005 TO .015. WELDING SYMBOLS PER AWS A2.4. ABBREVIATIONS PER MIL-STD-12.

DECIMALS	METRIC	ANGLES
.XX ±.03	.X ±0.8	±1°
.XXX ±.010	.XX ±0.25	

APPROVALS: ORIG LN 09/03/15, CHK W, DATE 10/02/15, APP R, 10/8/15

DO NOT SCALE DRAWING

UNLESS OTHERWISE SPECIFIED: DIMENSIONS ARE IN INCHES. DIMENSIONS IN BRACKETS [] ARE IN MILLIMETERS. TOLERANCES ARE:

APPROVALS: ORIG LN 09/03/15, CHK W, DATE 10/02/15, APP R, 10/8/15

THIRD ANGLE PROJECTION USA

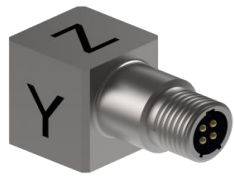
DYTRAN INSTRUMENTS INC. MASTER ONLY IF IN RED

TITLE: OUTLINE/ INSTALLATION DRAWING, 3153AT SERIES

SIZE B	CAGE CODE 2W033	DWG NO 127-3153A1T	REV A
--------	-----------------	--------------------	-------

SCALE: 2:1 SHEET 1 OF 1

MODEL NUMBER 3153A3T	PERFORMANCE SPECIFICATION	DOC NO.
		PS3153A3T
Accelerometer, Triaxial, IEPE		REV B, ECN 13566, 07/17/17



- HERMETICALLY SEALED
- STUD MOUNTED
- TEDS FEATURE
- GROUND ISOLATED

PHYSICAL

	ENGLISH		SI	
Weight, Max	1.23	oz	35	grams
Connector [1]	4-pin, 3/8-28	Type	4-pin, 3/8-28	
	300 Series S.S.	Material	300 Series S.S.	
Housing Material	300 Series S.S.		300 Series S.S.	
Sensing Element	Ceramic		Ceramic	
	Shear	Mode	Shear	
Mounting Provision	10-32 Tapped Hole		10-32 Tapped Hole	

PERFORMANCE

Sensitivity, +15-10% [2]	100	mV/g	10.2	mV/m/s ²
Acceleration Range	± 50	Gpeak	±491	m/s ² peak
Frequency Range, ±5%	0.7 - 5000	Hz	0.7 - 5000	Hz
Resonance Frequency	>20	kHz	>20	kHz
Linearity [3]	1	%F.S.	1	%F.S.
Transverse Sensitivity Max	6	%	6	%
Electrical Noise Floor, Max.	0.0003	Grms	0.003	m/s ² rms

ELECTRICAL

Supply Current Range [4]	2 to 20	mA	2 to 20	mA
Compliance Voltage Range	+18 to +30	VDC	+18 to +30	VDC
Output Impedance, Typ.	100	Ω	100	Ω
Output Bias Voltage	11 - 13	VDC	11 - 13	VDC
Discharge Time Constant	0.5 to 1.5	sec	0.5 to 1.5	sec
TEDS Feature	IEEE 1451.4		IEEE 1451.4	

ENVIRONMENTAL

Shock Max	± 1000	g pk	± 9810	m/s ²
Vibration Max	± 250	g pk	± 2453	m/s ²
Operating Temperature	-60 to +250	°F	-51 to +121	°C
TEDS Operating Temperature	-40 to +185	°F	-40 to +85	°C
Seal	Hermetic		Hermetic	
Magnetic Sensitivity at 100 Gauss	0.00007	g/Gauss	0.0006867	m/s ² /Gauss
Base Strain Sensitivity	0.05	g/με	0.4905	m/s ² /με
Electrical Isolation	10	MΩ	10	MΩ

This family also includes:

Model	Sensitivity (mV/g)	Range (Gpeak)	Resolution (Grms)	Oper. Temp(°F)	TC (sec)
3153A1T	10	500	0.003	-60 to +250	0.5 to 1.5
3153A2T	50	100	0.0006	-60 to +250	0.5 to 1.5

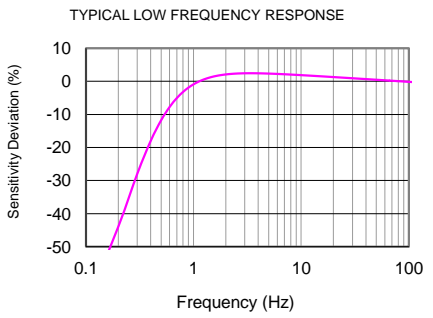
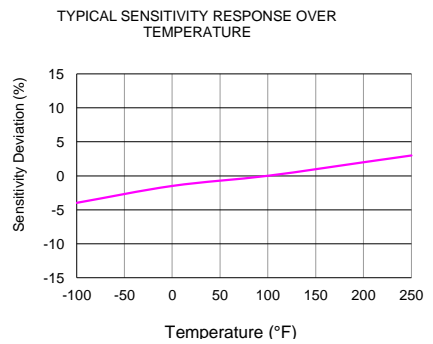
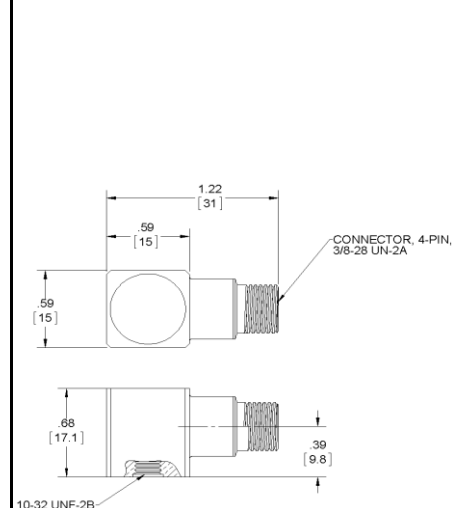
Refer to the performance specifications of the products in this family for detailed description

Supplied Accessories:

- 1) Model 6200 Mounting Stud
- 2) Accredited Calibration Certificate (ISO 17025)

Notes:

- [1] Glass to Metal Seal connector. Mates with Dytran cable Model 6390AXX or 6669AXX (XX=length in feet)
- [2] Measured At 100 Hz, 1 Grms per ISA RP 37.2
- [3] Linearity is % of specified full scale (or any less full-scale range), zero-based best fit straight line method.
- [4] Do not apply power to this device without current limiting, 20mA Max, to do so will destroy the integral IC amplifier



Units on the line drawing are in inches, units in brackets are in millimeters. Refer to 127-3153A1T for more information.

