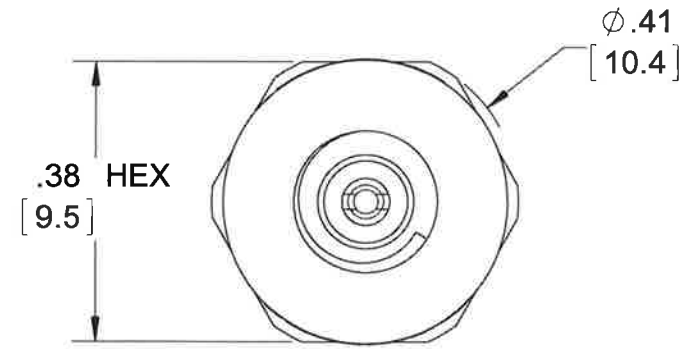


PROPRIETARY AND CONFIDENTIAL

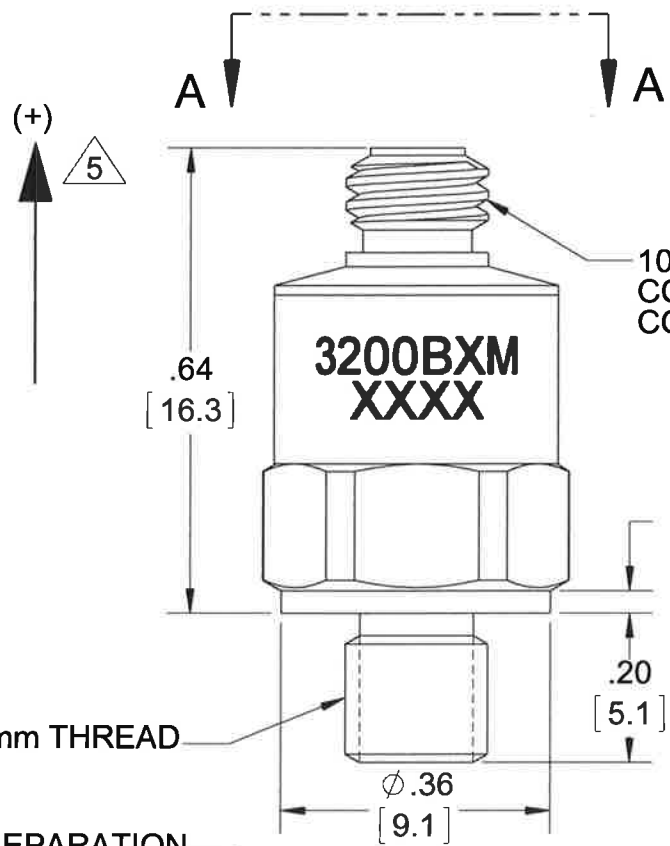
THE INFORMATION CONTAINED IN THIS DRAWING IS THE SOLE PROPERTY OF DYTRAN INSTRUMENTS INC. ANY REPRODUCTION IN PART OR AS A WHOLE WITHOUT THE WRITTEN PERMISSION OF DYTRAN INSTRUMENTS INC. IS PROHIBITED

REVISIONS

REV.	ECN	DESCRIPTION	BY/DATE	CHK	APPR
A	11055	INITIAL RELEASE	EC 08/05/14	JLS	



VIEW A-A



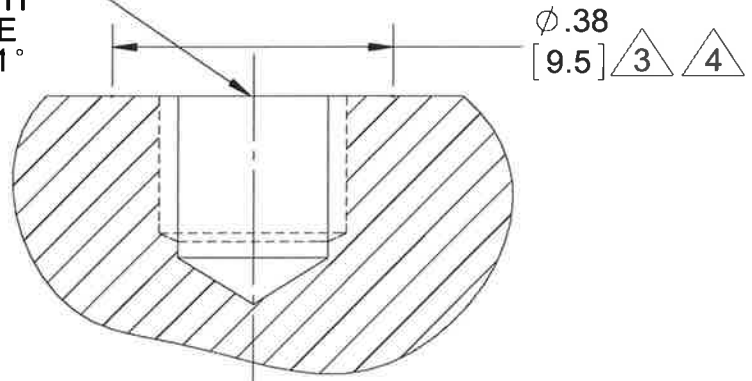
10-32 UNF-2A COAXIAL CONNECTOR

3200BXM  
XXXX

DYTRAN

M6X1.0X6mm THREAD

MOUNTING HOLE PREPARATION  
TAP M6 X 1.0 X 6mm [.236] MIN DEPTH  
OF PERFECT THREAD. HOLE TO BE  
PERPENDICULAR WITHIN ±1°



3200BM SERIES

5 ARROW INDICATES SENSE AND DIRECTION OF ACCELERATION FOR POSITIVE - GOING OUTPUT SIGNAL

4 PREPARE FLAT SURFACE TO THIS DIA. WITH A FINISH OF OR BETTER AND FLAT TO .001 TIR.

3 PREPARE MOUNTING SURFACE AS SHOWN. APPLY A LAYER OF SILICONE GREASE TO MOUNTING SURFACE. TORQUE IN PLACE WITH 50 LB-IN.

2. HOUSING MATERIAL: 17-4 PH STAINLESS STEEL

1. WEIGHT: 6 GRAMS MAX

NOTES: UNLESS OTHERWISE SPECIFIED

UNLESS OTHERWISE SPECIFIED:  
INTERPRET DIM & TOL PER ASME Y14.5M - 1994.  
REMOVE BURRS.  
COUNTERSINK INTERNAL THDS 90° TO MAJOR DIA.  
CHAM EXT THDS 45° TO MINOR DIA. THD LENGTHS AND DEPTHS ARE FOR MIN FULL THDS.  
DIMENSIONS APPLY AFTER FINISHING.

ALL MACHINED SURFACES. TOTAL RUNOUT WITHIN .005. BREAK SHARP EDGES .005 TO .010. MACHINED FILLET RADII .005 TO .015. WELDING SYMBOLS PER AWS A2.4. ABBREVIATIONS PER MIL-STD-12.

DECIMALS		METRIC		ANGLES
.XX ±.03	.X ±0.8	.XX ±.010	.X ±0.25	±1°

APPROVALS		DATE
ORIG	EC	08/05/14
CHK	EC	08/05/14
APP		8/8/14

DO NOT SCALE DRAWING

**MASTER**  
DYTRAN INSTRUMENTS, INC. Chatsworth, CA  
ONLY IF IN RED

TITLE: OUTLINE/INSTALLATION DRAWING, MODEL SERIES 3200BM (METRIC STUD)

SIZE B	CAGE CODE 2W033	DWG NO 127-3200BM	REV A
--------	-----------------	-------------------	-------

SCALE: 4:1 SHEET 1 OF 1

<b>MODEL NUMBER</b> <b>3200B2M</b>	<b>PERFORMANCE SPECIFICATION</b>	<b>DOC NO</b> <b>PS3200B2M</b>
	<b>SINGLE AXIS ACCELEROMETER, IEPE</b>	REV B, ECN 12864, 08/12/16



**PHYSICAL**

Weight	0.21	oz
Mounting Provision	M6 X 1.0	
Connector	Coaxial	
Material Body	17-4 PH S.S.	
Sensing Element	Quartz	

ENGLISH	SI
Weight	6.0 grams
Mounting Provision	M6 X 1.0
Connector	Coaxial
Thread	10-32 UNF-2A
Material	17-4 PH S.S.
Isolation	Case Isolated
Material	Quartz
Mode	Compression

**PERFORMANCE**

Sensitivity +/- 10% [1]	0.1	mV/g
Maximum Range F.S.	50000	g
Frequency Response, ± 5%	.50 to 10000	Hz
± 10%	.35 to 20000	Hz
± 3db	.16 to >50000	Hz
Mounted Resonant Frequency	> 90	kHz
Electrical Noise	0.7	Grms
Linearity [2]	± 1%	%F.S
Transverse Sensitivity, Max.	3	%

Sensitivity	0.01	mV/ m/s <sup>2</sup>
Maximum Range	490000	m/s <sup>2</sup>
Frequency Response	.50 to 10000	Hz
	.35 to 20000	Hz
	.16 to >50000	Hz
Mounted Resonant Frequency	> 90	kHz
Electrical Noise	6.9	m/s <sup>2</sup> rms
Linearity [2]	± 1%	%F.S
Transverse Sensitivity, Max.	3	%

**ENVIRONMENTAL**

Maximum Shock (peak)	± 100000	G peak
Temperature Range	-60 to +250	°F
Seal	Epoxy	

Maximum Shock	± 981000	m/s <sup>2</sup> peak
Temperature Range	-51 to +121	°C
Seal	Epoxy	

**ELECTRICAL**

Power Supply [3]	2 to 20	mA
Compliance Voltage Range	+18 to +30	V
Output Impedance	100	Ω
Bias Voltage	+7.5 to +9.5	VDC
Discharge Time Constant	1 to 1.5	sec
Electrical Isolation [4]	10	GΩ
Grounding	Case Isolated	

Power Supply	2 to 20	mA
Compliance Voltage Range	+18 to +30	V
Output Impedance	100	Ω
Bias Voltage	+7.5 to +9.5	VDC
Discharge Time Constant	1 to 1.5	sec
Electrical Isolation [4]	10	GΩ
Grounding	Case Isolated	

**This family also includes:**

Model	Sensitivity (mV/g)	Range (Gpeak)	Resolution (Grms)	Oper. Temp(°F)	Time Constant (Sec)
3200BM	0.05	70000	1.4	-60 to +250	1.0 to 1.5
3200B3M	0.25	20000	0.28	-60 to +250	1.0 to 1.5
3200B4M	0.5	10000	0.14	-60 to +250	1.0 to 1.5
3200B5M	1.0	5000	0.07	-60 to +250	1.0 to 1.5
3200B6M	2.0	2500	0.035	-60 to +250	1.0 to 1.5

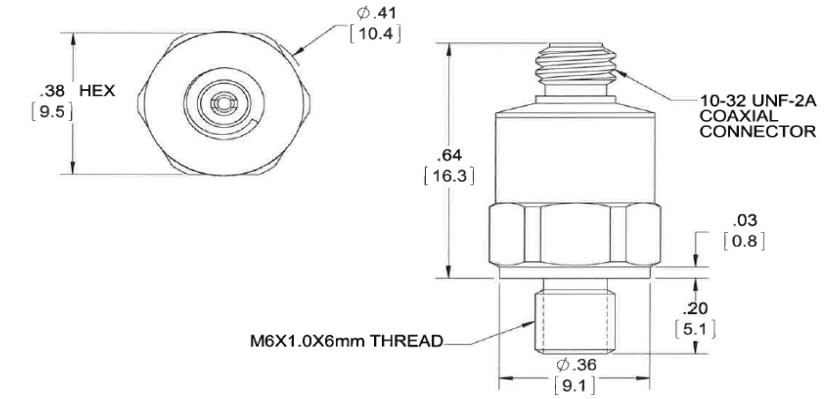
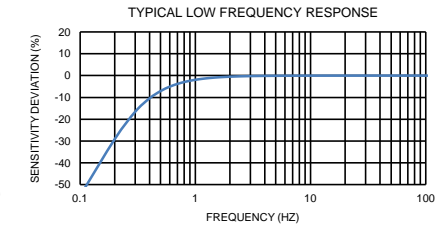
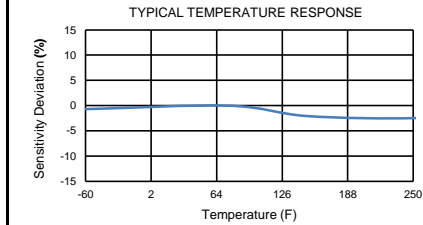
Refer to the performance specifications of the products in this family for detailed description.

**Supplied Accessories:**

- 1) Accredited calibration certificate (ISO 17025)

**Notes:**

- [1] Measured at 100 Hz, 1 GRMS per ISA RP 37.2.
- [2] Measured using zero-based best straight-line method, % of F.S. or any lesser range.
- [3] Do not apply power to this device without current limiting, 20 mA MAX. To do so will destroy the integral IC amplifier.
- [4] Case ground to mounting surface.



Units on the line drawing are in inches, units in brackets are in millimeters. Refer to 127-3200BM for more information.



21592 Marilla Street, Chatsworth, California 91311 Phone: 818.700.7818 Fax:818.700.7880  
[www.dytran.com](http://www.dytran.com) For permission to reprint this content, please contact [info@dytran.com](mailto:info@dytran.com)