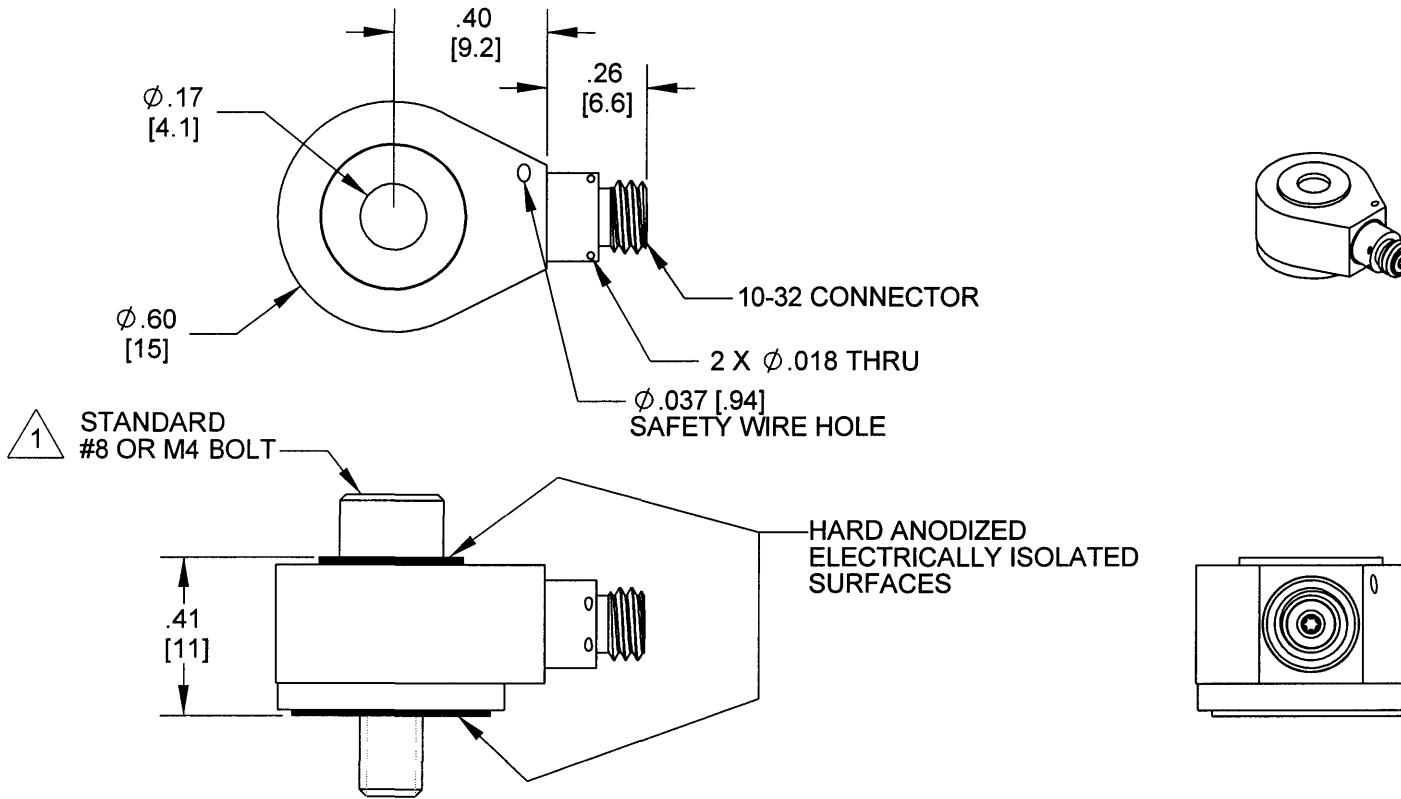


PROPRIETARY AND CONFIDENTIAL

REVISIONS

THE INFORMATION CONTAINED IN THIS DRAWING IS THE SOLE PROPERTY OF DYTRAN INSTRUMENTS INC. ANY REPRODUCTION IN PART OR AS A WHOLE WITHOUT THE WRITTEN PERMISSION OF DYTRAN INSTRUMENTS, INC. IS PROHIBITED

REV.	ECN	DESCRIPTION	BY/DATE	CHK	APPR
A	5279	ADDED NOTE 1	RA, 6/12/08	RS	DV



1 TORQUE MOUNTING BOLT TO: 15-20 LB-INCHES.

3211A1: 10mV/g
3211A2: 100mV/g

NOTES: UNLESS OTHERWISE SPECIFIED.

DRILL HOLE SIZE	TOLERANCE
.0135 THRU .125	+0.04 / -.001
.1260 THRU .250	+0.05 / -.001
.2510 THRU .500	+0.06 / -.001
.5010 THRU .750	+0.08 / -.001
.7510 THRU 1.000	+0.10 / -.001
1.001 THRU 2.000	+0.12 / -.001

UNLESS OTHERWISE SPECIFIED:
 INTERPRET DIM & TOL PER ASME Y14.5M - 1994.
 REMOVE BURRS.
 COUNTERSINK INTERNAL THDS 90° TO MAJOR DIA.
 CHAM EXT THDS 45° TO MINOR DIA.
 THD LENGTHS AND DEPTHS ARE FOR MIN FULL THDS.
 THDS PER MIL-S-7742.
 DIMENSIONS APPLY AFTER FINISHING.
 ALL MACHINED SURFACES.
 TOTAL RUNOUT WITHIN .005.
 BREAK SHARP EDGES .005 TO .010.
 MACHINED FILLET RADII .005 TO .015.
 WELDING SYMBOLS PER AWS A2.4.
 ABBREVIATIONS PER MIL-STD-12.

THIRD ANGLE PROJECTION
USA

UNLESS OTHERWISE SPECIFIED:
 DIMENSIONS ARE IN INCHES.
 TOLERANCES ARE:

DECIMALS	ANGLES
.XX ± .010	± 1°
.XXX ± .005	

MATERIAL

FINISH

DO NOT SCALE DRAWING

CONTRACT NO.

APPROVALS		DATE
ORIG	PML	4/1/2005
CHK		
APP	PML	12/9/05
APP		

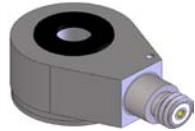
DYTRAN INSTRUMENTS, INC. Chatsworth, CA

MASTER ONLY IF IN RED

TITLE: **OUTLINE DRAWING, MODEL 3211A**

SIZE A	CAGE CODE 2W033	DWG. NO. 127-3211A	REV A
SCALE: 2:1		SOLIDWORKS	SHEET 1 OF 1

	IEPE ACCELEROMETER	REV E, ECN 11029, 05/28/14
--	---------------------------	----------------------------



- EXCELLENT LINEARITY
- HERMETICALLY SEALED

PHYSICAL

Weight
 Connector, coaxial
 Mounting Provision, thru hole
 Material Body/Connector
 Sensing Element
 Element Style

ENGLISH		SI	
Weight	0.35 oz	10 grams	
Connector, coaxial	10-32	10-32	
Mounting Provision, thru hole	Ø.17 thru hole	Ø 4.3 thru hole	mm
Material Body/Connector	Titanium	Titanium	
Sensing Element	Quartz	Quartz	
Element Style	Shear	Shear	

PERFORMANCE

Sensitivity +/- 5% [1]
 Range for ± 5 Volts Output
 Frequency Response, ± 5%
 Resonant Frequency
 Equivalent Electrical Noise Floor, 1Hz to 10kHz
 Linearity [2]
 Maximum Transverse Sensitivity
 Strain Sensitivity @250µε

Sensitivity +/- 5% [1]	100 mV/g	10.19 mV/ m/s ²
Range for ± 5 Volts Output	± 50 g pk	± 490 m/s ²
Frequency Response, ± 5%	1.0 to 10000 Hz	1.0 to 10000 Hz
Resonant Frequency	> 31 kHz	> 31 kHz
Equivalent Electrical Noise Floor, 1Hz to 10kHz	0.0004 g rms	0.004 m/s ² rms
Linearity [2]	± 1% %F.S	± 1% %F.S
Maximum Transverse Sensitivity	5%	5%
Strain Sensitivity @250µε	0.04 g/µε	0.39 m/s ² /µε

ENVIROMENTAL

Maximum Vibration
 Maximum Shock
 Temperature Range
 Seal
 Coefficient Of Thermal Sensitivity
 Magnetic Sensitivity @ 100 Gauss (0.01 Tesla)

Maximum Vibration	500 ±gpk	4905 ± m/s ² pk
Maximum Shock	5000 ±gpk	49050 ± m/s ² pk
Temperature Range	-67 to +250 °F	-51 to +121 °C
Seal	Hermetic	Hermetic
Coefficient Of Thermal Sensitivity	0.06 %/°F	0.108 %/°C
Magnetic Sensitivity @ 100 Gauss (0.01 Tesla)	0.004 g/Gauss	392.40 m/s ² /T

ELECTRICAL

Supply Current
 Compliance Voltage Range
 Output Impedence, Typ
 Bias Voltage
 Discharge Time Constant
 Electrical Isolation [3]
 Output Signal Polarity [4]

Supply Current	2 to 20 mA	2 to 20 mA
Compliance Voltage Range	18 to 30 V	18 to 30 V
Output Impedence, Typ	120 Ω	120 Ω
Bias Voltage	+11 to +13 VDC	+11 to +13 VDC
Discharge Time Constant	0.8 to 2.0 sec	0.8 to 2.0 sec
Electrical Isolation [3]	10 GΩ	10 GΩ
Output Signal Polarity [4]	positive	positive

This family also includes:

Model	Sensitivity (mV/g)	Frequency Response (Hz)	Time Constant (Sec)	Operating Temp (°F)
3211A1	10	1 to 10000	0.8 to 2.0	-67 to 250

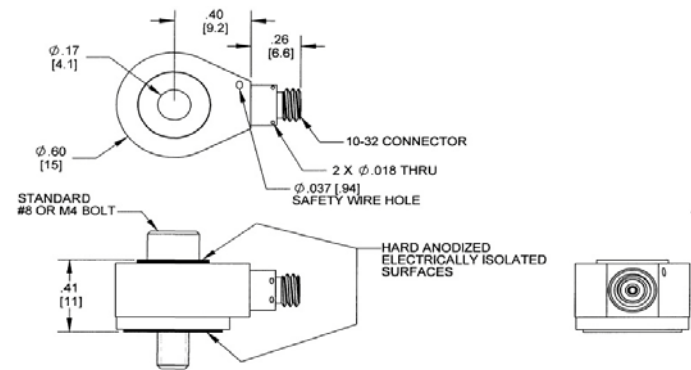
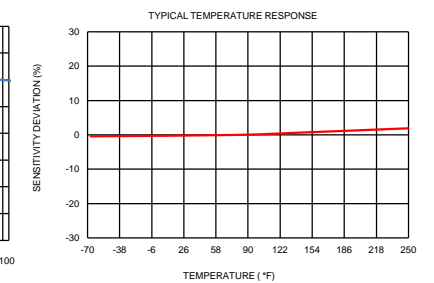
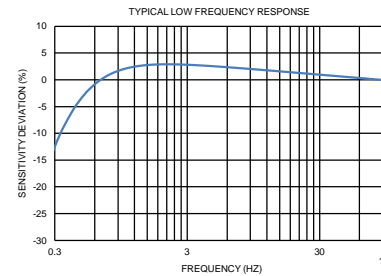
Refer to the performance specifications of the products in this family for detailed description

Supplied Accessories:

- 1) Accredited calibration certificate (ISO 17025)
- 2) Model 6595 mounting screw (8-32)
- 3) Model 6597 mounting Screw (M4x.7)

Notes:

- [1] Measured at 100Hz, 1 Grms per ISA RP 37.2.
- [2] Measure using zero-based straight line method, % of F.S. or any lesser range.
- [3] Electrical ground isolated from sensor mounting surface.
- [4] For acceleration into base.
- [5] Do not apply power to this system without current limiting, 20 mA MAX. To do so will destroy the IC charge amplifier.
- [6] In the interest of constant product improvement, we reserve the right to change specifications without notice.



Units on the line drawing are in inches, units in brackets are in millimeters. Refer to 127-3211A for more information.

