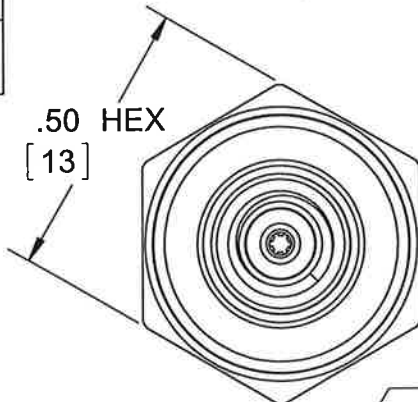


PROPRIETARY AND CONFIDENTIAL

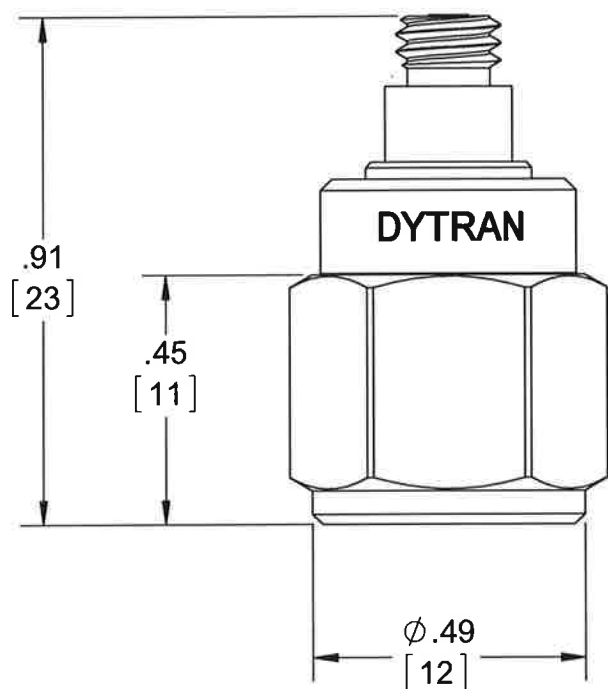
THE INFORMATION CONTAINED IN THIS DRAWING IS THE SOLE PROPERTY OF DYTRAN INSTRUMENTS INC. ANY REPRODUCTION IN PART OR AS A WHOLE WITHOUT THE WRITTEN PERMISSION OF DYTRAN INSTRUMENTS INC. IS PROHIBITED

REVISIONS

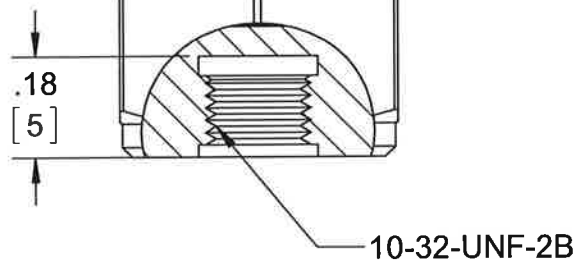
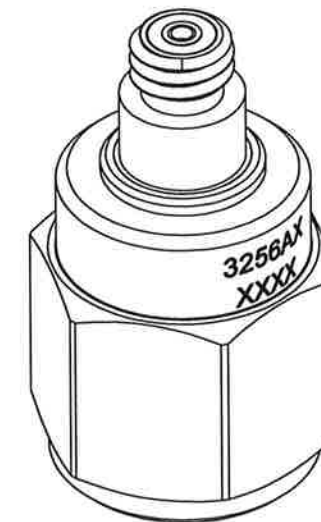
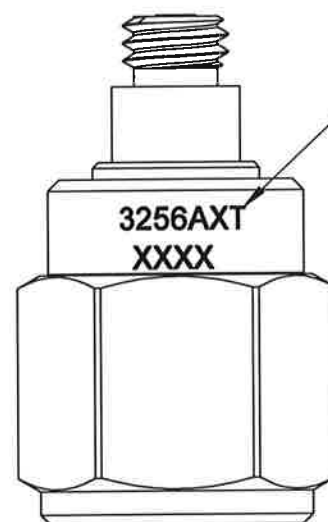
REV.	ECN	DESCRIPTION	BY/DATE	CHK	APPR
A	4932	INITIAL RELEASE	JS 11/27/07	RA	CES
B	11745	MOVED MARKING FROM HEX TO DIAMETER	NDC 02/25/15	JS	LN
C	11835	REDESIGNED WITH CHANGES	RA, 05/19/15	EM	LN



10-32 UNF-2A COAXIAL CONNECTOR

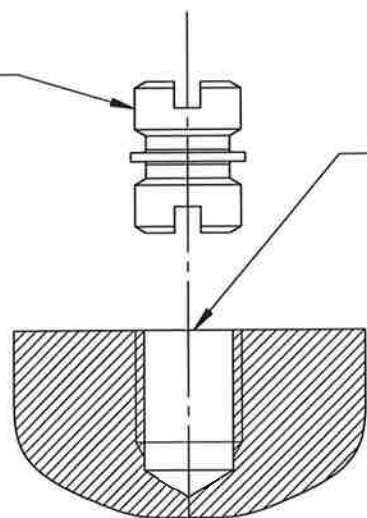


SEE TABULATION



10-32-UNF-2B

10-32 UNF-2A MODEL 6200 MTG STUD PROVIDED



MOUNTING SURFACE HOLE PREPARATION: SELECT SURFACE FLAT TO .001 TIR TAP 10-32 UNF-2B X .200 MIN THD DEPTH

MODEL	REV	ECN	DATE	SEN mV/G
3256A5T	C	11835	05/29/15	50mV/G
3256A3T	C	11835	05/19/15	500mV/G
3256A2T	C	11835	05/19/15	100mV/G
3256A1T	C	11835	05/19/15	10mV/G
TABULATION				

UNLESS OTHERWISE SPECIFIED:
 INTERPRET DIM & TOL PER ASME Y14.5M - 1994.
 REMOVE BURRS.
 COUNTERSINK INTERNAL THDS 90° TO MAJOR DIA.
 CHAM EXT THDS 45° TO MINOR DIA.
 THD LENGTHS AND DEPTHS ARE FOR MIN FULL THDS.
 DIMENSIONS APPLY AFTER FINISHING.

ALL MACHINED SURFACES.
 TOTAL RUNOUT WITHIN .005.
 BREAK SHARP EDGES .005 TO .010.
 MACHINED FILLET RADII .005 TO .015.
 WELDING SYMBOLS PER AWS A2.4.
 ABBREVIATIONS PER MIL-STD-12.

DECIMALS		METRIC		ANGLES	
.XX ±.03	.XX ±.03	X ±0.8	X ±0.8	±1°	±1°
.XXX ±.010	.XXX ±.010	.XX ±0.25	.XX ±0.25		

APPROVALS		DATE
ORIG	JS	11/26/07
CHK	RA	11/26/07
APP	CES	11/30/07

DO NOT SCALE DRAWING

THIRD ANGLE PROJECTION USA

DYTRAN INSTRUMENTS, INC. Chatsworth, CA
MASTER ONLY IF IN RED

TITLE: **OUTLINE/INSTALLATION, MODEL 3256AXT**

SIZE B	CAGE CODE 2W033	DWG NO 127-3256AT	REV C
---------------	------------------------	--------------------------	--------------

SCALE: 2:1 SHEET 1 OF 1

NOTES: UNLESS OTHERWISE SPECIFIED

Model Number 3256A3T	PERFORMANCE SPECIFICATIONS	DOC NO PS3256A3T
IEPE ACCELEROMETER		REV A, ECN 11835, 05/22/15



- HERMETICALLY SEALED
- CASE GROUNDED
- TEDS

PHYSICAL

Weight
Connector Type
Mounting Provision Tapped Hole
Material, Housing/Connector
Sensing Element
Element Style

ENGLISH		SI	
0.35	oz	10	grams
10-32		10-32	
10-32 X .150 ↓		10-32 X .150 ↓	
Titanium		Titanium	
Ceramic		Ceramic	
Planar Shear		Planar Shear	

PERFORMANCE

Sensitivity, ±5% [1]
Range for ± 5 Volts Output
Frequency Response, ±10%
Resonant Frequency
Broad Band Resolution
Linearity [2]
Maximum Transverse Sensitivity
Strain Sensitivity @ 250µε

500	mV/G	51.0	mV/m/s ²
10	G peak	98	m/s ²
1 to 10,000	Hz	1 to 10,000	Hz
> 36	kHz	> 36	kHz
0.0004	G rms	0.0039	m/s ² rms
±1	% F.S.	±1	% F.S.
5	%	5	%
0.001	G/µε	0.01	m/s ² /µε

ENVIRONMENTAL

Maximum Vibration
Maximum Shock
Operating Temperature Range
TEDS Operating Temperature
Seal

200	G peak	1962	m/s ² peak
1000	G peak	9810	m/s ² peak
-60 to +225	*F	-51 to 107	*C
-40 to +185	*F	-40 to +85	*C
HERMETIC		HERMETIC	

ELECTRICAL

Supply Current Range [3]
Compliance Voltage Range
Output Impedence, Typ
Bias Voltage
Discharge Time Constant
TEDS

2 to 20	mA	2 to 20	mA
+18 to +30	Volts	+18 to +30	Volts
100	Ω	100	Ω
+9 to +13	VDC	+9 to +13	VDC
.5 to 1.5	Sec	.5 to 1.5	Sec
IEEE 1451.4		IEEE 1451.4	

This family also includes:

Model	Sensitivity (mV/g)	Frequency Response (Hz)	Time Constant (Sec)	Operating Temp (*F)
3256A1T	10	1 to 10000	0.5 to 1.5	-60 to +250
3256A3T	500	1 to 10000	0.5 to 1.5	-60 to +225
3256A5T	50	1 to 10000	0.5 to 1.5	-60 to +250

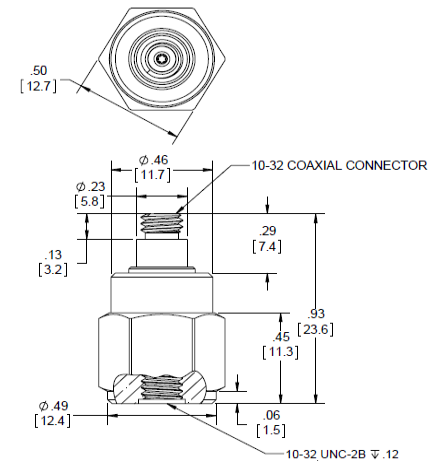
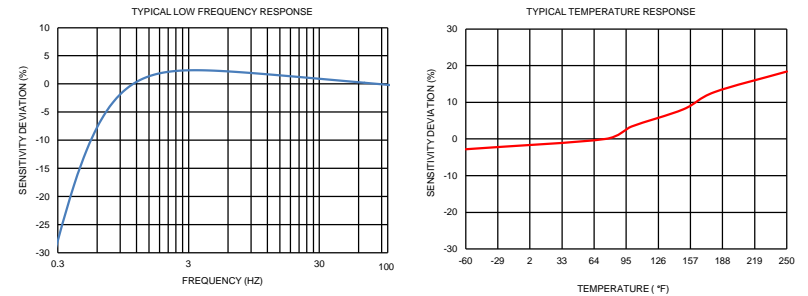
Refer to the performance specifications of the products in this family for detailed description

Supplied Accessories:

- 1) Accredited calibration certificate (ISO 17025)
- 2) 10-32 to 10-32 mounting stud, Model 6200. Qty. 1

Notes:

- [1] Measured at 100Hz, 1 Grms per ISA RP 37.2.
- [2] Measured using zero-based straight line method, % of F.S. or any lesser range.
- [3] Do not apply power to this system without current limiting, 20 mA MAX. To do so will destroy the IC charge amplifier.
- [4] In the interest of constant product improvement, we reserve the right to change specifications without notice.



Units on the line drawing are in inches, units in brackets are in millimeters. Refer to 127-3256AT for more information.



21592 Marilla Street, Chatsworth, California 91311 Phone: 818.700.7818 Fax: 818.700.7880 www.dytran.com
For permission to reprint this content, please contact info@dytran.com