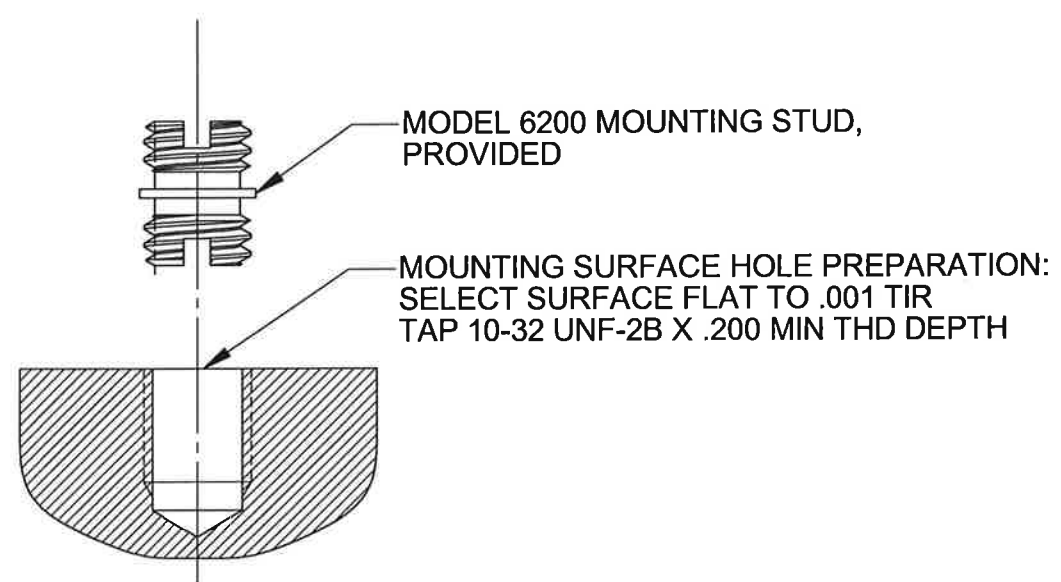
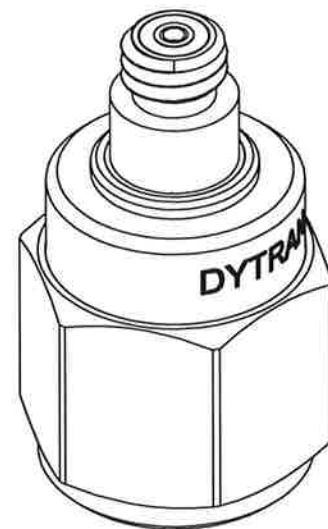
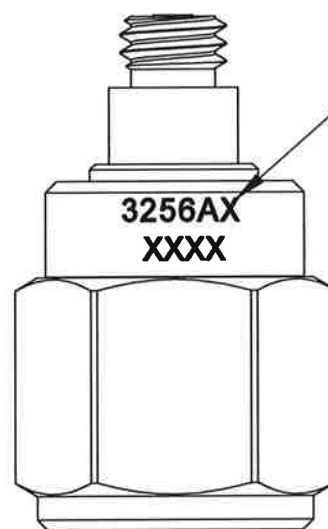
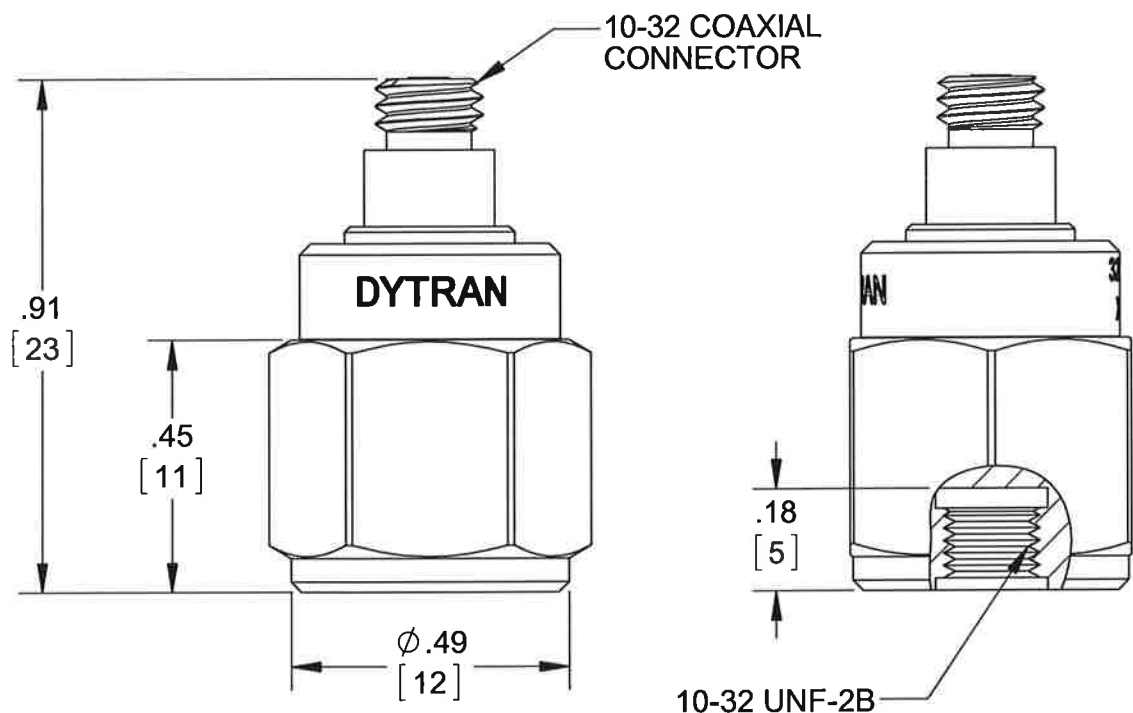
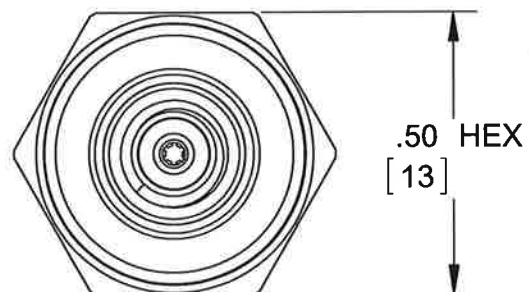


PROPRIETARY AND CONFIDENTIAL

THE INFORMATION CONTAINED IN THIS DRAWING IS THE SOLE PROPERTY OF DYTRAN INSTRUMENTS INC. ANY REPRODUCTION IN PART OR AS A WHOLE WITHOUT THE WRITTEN PERMISSION OF DYTRAN INSTRUMENTS INC. IS PROHIBITED

REVISIONS

REV	ECN	DESCRIPTION	BY/DATE	CHK	APPR
A	4535	INITIAL RELEASE	RA 02/05/07	CES	CES
B	11745	MOVED MARKING FROM HEX TO DIAMETER	NDC 02/25/15	JS	LN
C	11835	REDESIGNED PER ECN	RA, 05/22/15	EM	LN



MODEL	REV	ECN	DATE	SENSITIVITY
3256A6	C	11835	05/18/15	200 mV/g
3256A5	C	11835	05/18/15	50 mV/g
3256A4	C	11835	05/18/15	20 mV/g
3256A3	C	11835	05/18/15	500 mV/g
3256A2	C	11835	05/18/15	100 mV/g
3256A1	C	11835	05/18/15	10 mV/g

TABULATION

UNLESS OTHERWISE SPECIFIED:
 INTERPRET DIM & TOL PER ASME Y14.5M - 1994.
 REMOVE BURRS.
 COUNTERSINK INTERNAL THDS 90° TO MAJOR DIA.
 CHAM EXT THDS 45° TO MINOR DIA.
 THD LENGTHS AND DEPTHS ARE FOR MIN FULL THDS.
 DIMENSIONS APPLY AFTER FINISHING.

ALL MACHINED SURFACES.
 TOTAL RUNOUT WITHIN .005.
 BREAK SHARP EDGES .005 TO .010.
 MACHINED FILLET RADII .005 TO .015.
 WELDING SYMBOLS PER AWS A2.4.
 ABBREVIATIONS PER MIL-STD-12.

APPROVALS		DATE
DRAWN	RA	02/05/07
DESIGN	RA	02/05/07
CHK	CES	02/05/07
APP	CES	02/05/07

DO NOT SCALE DRAWING

DYTRAN INSTRUMENTS, INC. Chatsworth, CA

MASTER COPY IF IN RED

TITLE: **OUTLINE/INSTALLATION, MODEL 3256A**

SIZE B	CAGE CODE 2W033	DWG NO 127-3256A	REV C
---------------	------------------------	-------------------------	--------------

SCALE: 2:1 PART NO: SHEET 1 OF 1

NOTES: UNLESS OTHERWISE SPECIFIED

Model Number 3256A3	PERFORMANCE SPECIFICATIONS	DOC NO PS3256A3
IEPE ACCELEROMETER		REV A, ECN 11835, 05/22/15



- HERMETICALLY SEALED
- CASE GROUNDED

PHYSICAL

Weight
Connector
Mounting Provision
Material, Housing/Connector
Sensing Element
Element Style

Type
Tapped Hole

ENGLISH		SI	
0.35	oz	10	grams
10-32		10-32	
10-32 X .150 ↓		10-32 X .150 ↓	
Titanium		Titanium	
Ceramic		Ceramic	
Planar Shear		Planar Shear	

PERFORMANCE

Sensitivity, ±5% [1]
Range for ± 5 Volts Output
Frequency Response, ±10%
Resonant Frequency
Broad Band Resolution
Linearity [2]
Maximum Transverse Sensitivity
Strain Sensitivity @ 250µε

500	mV/G	51.0	mV/m/s ²
10	G peak	98	m/s ²
1 to 10,000	Hz	1 to 10,000	Hz
> 36	kHz	> 36	kHz
0.0004	G rms	0.0039	m/s ² rms
±1	% F.S.	±1	% F.S.
5	%	5	%
0.001	G/µε	0.01	m/s ² /µε

ENVIRONMENTAL

Maximum Vibration
Maximum Shock
Temperature Range
Seal

200	G peak	1962	m/s ² peak
1000	G peak	9810	m/s ² peak
-60 to 225	°F	-51 to 107	°C
HERMETIC		HERMETIC	

ELECTRICAL

Supply Current Range [3]
Compliance Voltage Range
Output Impedence, Typ
Bias Voltage
Discharge Time Constant

2 to 20	mA	2 to 20	mA
+18 to +30	Volts	+18 to +30	Volts
100	Ω	100	Ω
+9 to +13	VDC	+9 to +13	VDC
.5 to 1.5	Sec	.5 to 1.5	Sec

This family also includes:

Model	Sensitivity (mV/g)	Frequency Response (Hz)	Time Constant (Sec)	Operating Temp (°F)
3256A1	10	1 to 10000	0.5 to 1.5	-60 to +250
3256A2	100	1 to 10000	0.5 to 1.5	-60 to +250
3256A4	20	1 to 10000	0.5 to 1.5	-60 to +250
3256A5	50	1 to 10000	0.5 to 1.5	-60 to +250
3256A6	200	1 to 10000	0.5 to 1.5	-60 to +225

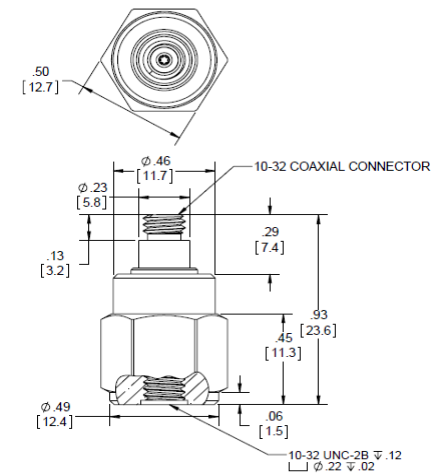
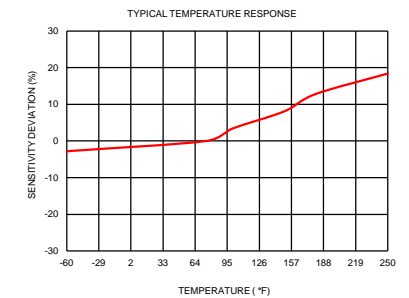
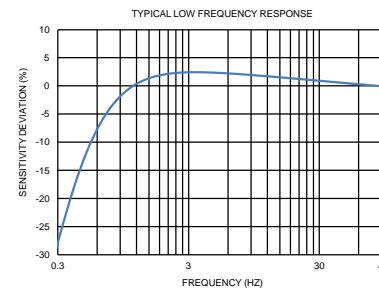
Refer to the performance specifications of the products in this family for detailed description

Supplied Accessories:

- 1) Accredited calibration certificate (ISO 17025)
- 2) 10-32 to 10-32 mounting stud, Model 6200. Qty. 1

Notes:

- [1] Measured at 100Hz, 1 Grms per ISA RP 37.2.
- [2] Measured using zero-based straight line method, % of F.S. or any lesser range.
- [3] Do not apply power to this system without current limiting, 20 mA MAX. To do so will destroy the IC charge amplifier.
- [4] In the interest of constant product improvement, we reserve the right to change specifications without notice.



Units on the line drawing are in inches, units in brackets are in millimeters. Refer to 127-3256A for more information.



21592 Marilla Street, Chatsworth, California 91311 Phone: 818.700.7818 Fax: 818.700.7880 www.dytran.com
For permission to reprint this content, please contact info@dytran.com