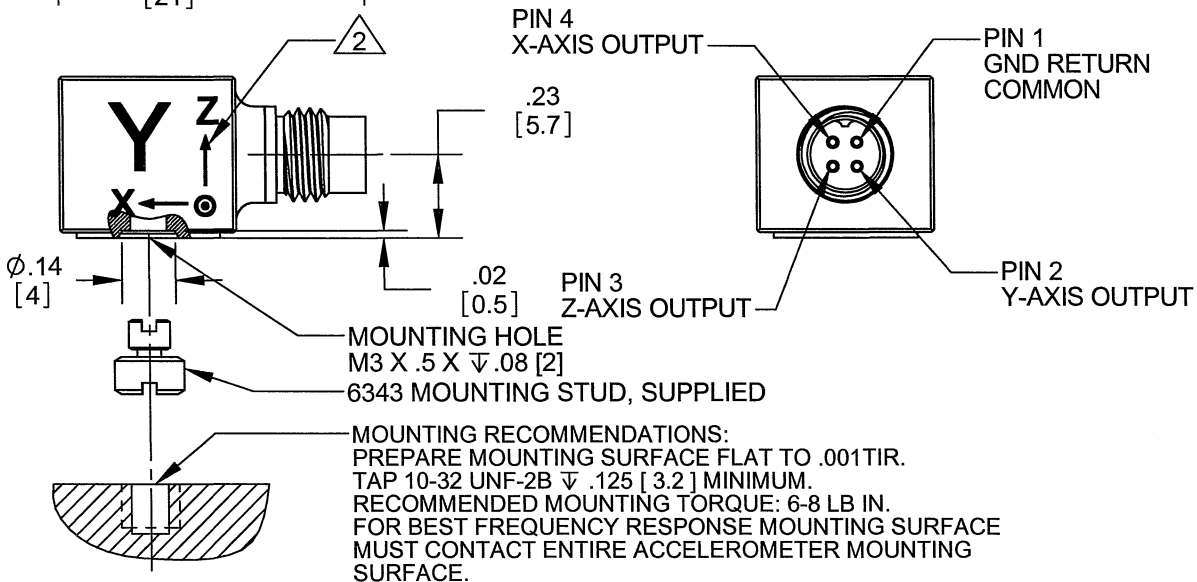
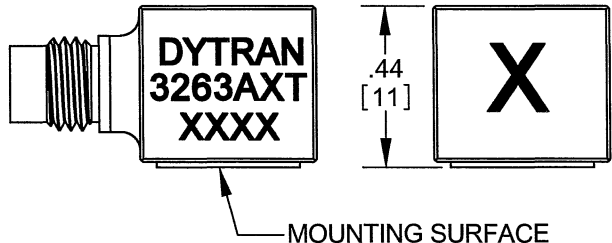
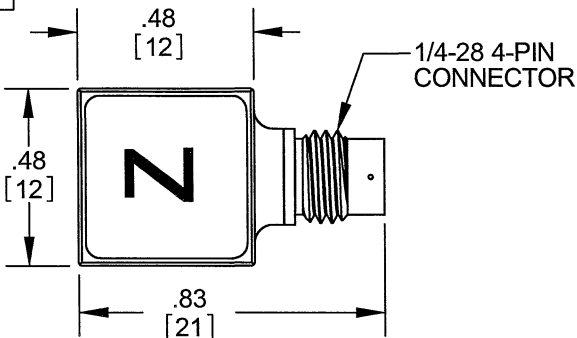


PROPRIETARY AND CONFIDENTIAL

THE INFORMATION CONTAINED IN THIS DRAWING IS THE SOLE PROPERTY OF DYTRAN INSTRUMENTS INC. ANY REPRODUCTION IN PART OR AS A WHOLE WITHOUT THE WRITTEN PERMISSION OF DYTRAN INSTRUMENTS INC. IS PROHIBITED

REV.		ECN	DESCRIPTION	BY/DATE	CHK	APPR
A		8817	INITIAL RELEASE	JS 06/29/12	<i>JS</i>	<i>JS</i>

MODEL	SENSITIVITY
3263A7T	10 mV/g
3263A8T	100 mV/g



4. MATES WITH DYTRAN MODEL 6811AXX (XX = LENGTH IN FEET)
3. WEIGHT: 5.6 GRAMS MAX
2. ARROWS INDICATE ACCELERATION DIRECTION FOR POSITIVE OUTPUT.
1. HOUSING MATERIAL: TITANIUM ALLOY

NOTES: UNLESS OTHERWISE SPECIFIED.

MOUNTING RECOMMENDATIONS:
 PREPARE MOUNTING SURFACE FLAT TO .001TIR.
 TAP 10-32 UNF-2B ∇ .125 [3.2] MINIMUM.
 RECOMMENDED MOUNTING TORQUE: 6-8 LB IN.
 FOR BEST FREQUENCY RESPONSE MOUNTING SURFACE MUST CONTACT ENTIRE ACCELEROMETER MOUNTING SURFACE.

USED ON	NEXT ASSY	APPLICATION
		THIRD ANGLE PROJECTION USA

UNLESS OTHERWISE SPECIFIED:
 INTERPRET DIM & TOL PER ASME Y14.5M - 1994.
 REMOVE BURRS.
 COUNTERSINK INTERNAL THDS 90° TO MAJOR DIA.
 CHAM EXT THDS 45° TO MINOR DIA.
 THD LENGTHS AND DEPTHS ARE FOR MIN FULL THDS.
 THDS PER MIL-S-7742.
 DIMENSIONS APPLY AFTER FINISHING.
 ALL MACHINED SURFACES.
 TOTAL RUNOUT WITHIN .005.
 BREAK SHARP EDGES .005 TO .010.
 MACHINED FILLET RADII .005 TO .015.
 WELDING SYMBOLS PER AWS A2.4.
 ABBREVIATIONS PER MIL-STD-12.

UNLESS OTHERWISE SPECIFIED:
 DIMENSIONS ARE IN INCHES.
 DIMENSIONS IN BRACKETS [] ARE IN MILLIMETERS
 TOLERANCES ARE:
 INCHES METRIC ANGLES
 .XX ± .03 .X ± 0.8 ± 1°
 .XXX ± 0.10 .XX ± 0.25

MATERIAL	
FINISH	
DO NOT SCALE DRAWING	

CONTRACT NO.	
APPROVALS	
ORIG	DATE
CHK	6/29/12
APP	7/2/12
APP	

MASTER ONLY IF IN RED

DYTRAN INSTRUMENTS, INC. Chatsworth, CA

TITLE: **OUTLINE/INSTALLATION DRAWING, 3263A7T**

SIZE	CAGE CODE	DWG. NO.	REV
A	2W033	127-3263A7T	A
SCALE: NONE	SOLIDWORKS	SHEET 1 OF 1	



- **TRIAXIAL ACCELEROMETER**
- **HIGH SENSITIVITY**
- **HERMETICALLY SEALED**
- **WITH TEDS FUNCTION**

This family also includes:

Model	Sensitivity (mV/g)	Range (Gpeak)	Resolution (Grms)	Operating Temp (°F)	Time Constant (Sec)
3263A7T	10	600	0.0095	-60 to 250	0.3 to 1.2

Refer to the performance specifications of the products in this family for detailed description

Supplied Accessories:

- a) Model 6343 mounted stud M3 to 10-32

Notes:

- [2] Measured at 100Hz, 1 Grms per ISA RP 37.2.
 [2] Measure using zero-based straight line method, % of F.S. or any lesser range.
 [4] Do not apply power to this system without current limiting, 20 mA MAX. To do so will destroy the IC charge amplifier.
 [5] In the interest of constant product improvement, we reserve the right to change specifications without notice.

Weight
 Connector [1]
 Mounting Provision
 Material, Housing/Connector
 Sensing Element
 Element Style

ENGLISH		SI	
0.19	oz	5.5	grams
4-Pin		4-Pin	
M3 X 0.5		M3 X 0.5	
Titanium		Titanium	
Ceramic		Ceramic	
Shear		Shear	

PERFORMANCE

Sensitivity, ±10% [2]
 Range F.S. for ± 5 Volts Output
 Frequency Response, -5/+15%
 Resonant Frequency
 Linearity Max [3]
 Transverse Sensitivity, Max
 Equivalent Electrical Noise Floor
 Spectral Noise

ENGLISH		SI	
100	mV/g	10.2	mV/m/s ²
± 50	g	± 490	m/s ²
0.3 to 10000	Hz	0.3 to 10000	Hz
> 45	kHz	> 45	kHz
± 1%	%F.S	± 1%	%F.S
5%		5%	
0.00095	g rms	0.009	m/s ² rms
0.0001	Grms/v(Hz)	0.00098	m/s ² rms/v(Hz)
10Hz	0.00005	0.00049	m/s ² rms/v(Hz)
100Hz	0.00001	0.000098	m/s ² rms/v(Hz)
1000Hz	0.00001	0.000098	m/s ² rms/v(Hz)
10000Hz	0.000005	0.000049	m/s ² rms/v(Hz)

ENVIRONMENTAL

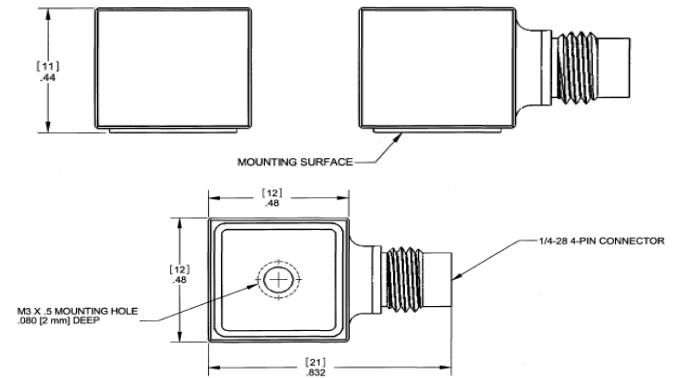
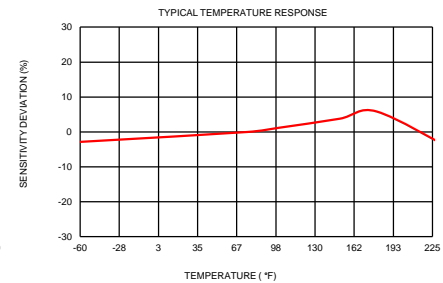
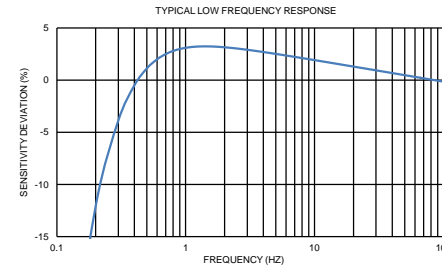
Maximum Vibration
 Maximum Shock
 Temperature Range
 Seal

600	±Gpeak	5886	±m/s ² peak
5000	±Gpeak	49050	±m/s ² peak
-60 to +225	°F	-51 to +107	°C
Hermetic		Hermetic	

ELECTRICAL

Supply Current Range [4]
 Compliance Voltage Range
 Output Impedance, Typ
 Bias Voltage
 Discharge Time Constant
 IEPE Sensor with TEDS feature

2 to 20	mA	2 to 20	mA
+18 to +30	Volts	+18 to +30	Volts
100	Ω	100	Ω
+11 to +13	VDC	+11 to +13	VDC
1.2 to 2.2	Sec	1.2 to 2.2	Sec
IEEE 1451.4		IEEE 1451.4	



Units on the line drawing are in inches, units in brackets are in millimeters. Refer to 127-3263A7T for more information.

