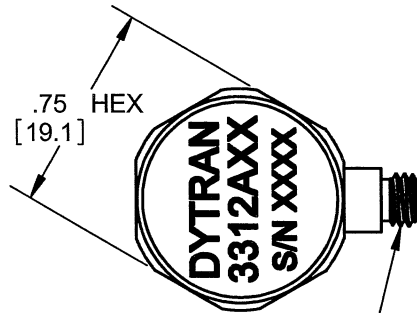


PROPRIETARY AND CONFIDENTIAL

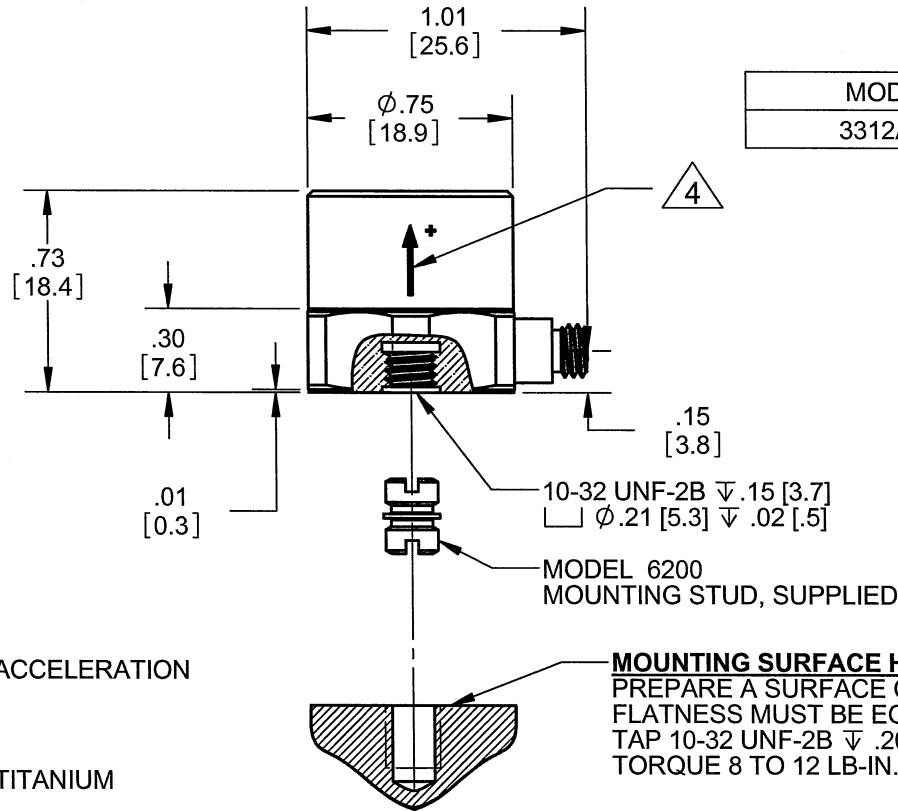
THE INFORMATION CONTAINED IN THIS DRAWING IS THE SOLE PROPERTY OF DYTRAN INSTRUMENTS INC. ANY REPRODUCTION IN PART OR AS A WHOLE WITHOUT THE WRITTEN PERMISSION OF DYTRAN INSTRUMENTS INC. IS PROHIBITED

REVISIONS

REV	ECN	DESCRIPTION	BY/DATE	CHK	APPR
A	8785	INITIAL RELEASE	LN 10/12/12	11	12



3 10-32 COAXIAL CONNECTOR



MODEL	SENSITIVITY
3312A2T	100mV/G



- 4 ARROW INDICATES DIRECTION OF ACCELERATION FOR POSITIVE OUTPUT
- 3 MATES WITH 6019AXX CABLE
- 2. HOUSING/CONNECTOR MATERIAL: TITANIUM
- 1. WEIGHT: 25 GRAMS, MAX

MOUNTING SURFACE HOLE PREPARATION:
 PREPARE A SURFACE OF $\phi 1.00$ [25.4] MIN. SURFACE FLATNESS MUST BE EQUAL OR BETTER THAN .001 TIR. TAP 10-32 UNF-2B $\nabla .20$ [5.1] MIN. TORQUE 8 TO 12 LB-IN.

NOTES: UNLESS OTHERWISE SPECIFIED

USED ON	NEXT ASSY	UNLESS OTHERWISE SPECIFIED: INTERPRET DIM & TOL PER ASME Y14.5M - 1994. REMOVE BURRS. COUNTERSINK INTERNAL THDS 90° TO MAJOR DIA. CHAM EXT THDS 45° TO MINOR DIA. THD LENGTHS AND DEPTHS ARE FOR MIN FULL THDS. THDS PER MIL-S-7742. DIMENSIONS APPLY AFTER FINISHING.
APPLICATION		
THIRD ANGLE PROJECTION USA		UNLESS OTHERWISE SPECIFIED: DIMENSIONS ARE IN INCHES. DIMENSIONS IN BRACKETS [] ARE IN MILLIMETERS TOLERANCES ARE: INCHES METRIC ANGLES .XX ± .03 .X ± 0.8 ± 1° .XXX ± .010 .XX ± 0.25
ALL MACHINED SURFACES. TOTAL RUNOUT WITHIN .005. BREAK SHARP EDGES .005 TO .010. MACHINED FILLET RADII .005 TO .015. WELDING SYMBOLS PER AWS A2.4. ABBREVIATIONS PER MIL-STD-12.		

CONTRACT NO.	
APPROVALS	DATE
ORIG	RT 07/08/11
CHK	11 10/12/12
APP	12 10/15/12
APP	
DO NOT SCALE DRAWING	

DYTRAN MASTER
 INSTRUMENTS, INC. Chatsworth, CA ONLY IF IN RED

TITLE: **OUTLINE/INSTALLATION DRAWING, ACCELEROMETER, MODEL 3312AT**

SIZE	CAGE CODE	DWG. NO.	REV
A	2W033	127-3312AT	A
SCALE: NONE		SOLIDWORKS	SHEET 1 OF 1

Model Number 3312A2T	PERFORMANCE SPECIFICATIONS	DOC NO PS3312A2T
IEPE ACCELEROMETER		REV A, ECN 8785, 10/12/12



- >120dB DYNAMIC RANGE
- HERMETICALLY SEALED
- IDEAL LOW FREQUENCY RESPONSE
- TEDS CAPABILITY

PHYSICAL

Weight, Max.
Connector
Mounting Provision
Material, Housing/Connector
Sensing Element
Element Style

Tapped Hole

ENGLISH		SI	
0.88	oz	25	grams
10-32 Coaxial		10-32 Coaxial	
10-32 UNF-2B		10-32 UNF-2B	
Titanium		Titanium	
Piezoelectric		Piezoelectric	
Shear		Shear	

PERFORMANCE

Sensitivity, ±5% [1]
Range for ± 5 Volts Output
Frequency Response, ±5%
Frequency Response, ±10%
Phase Response, Max
Resonant Frequency
Broad Band Resolution
Spectral Noise
Linearity [2]
Maximum Transverse sensitivity
Strain Sensitivity @ 250µε

0.3 to 0.5 Hz
0.5 to 1.0 Hz
1 to 1.5 Hz
1.5 Hz to 3000 Hz

1 Hz
10 Hz
100 Hz
1000 Hz
4000 Hz

100	mV/g	10	mV/m/s ²
50	g	491	m/s ²
0.1 to 4000	Hz	0.1 to 4000	Hz
0.06 to 10000	Hz	0.06 to 10000	Hz
5.0	deg	5.0	deg
3.0	deg	3.0	deg
1.5	deg	1.5	deg
1.0	deg	1.0	deg
> 32	kHz	> 32	kHz
0.0006	G rms	0.0059	m/s ² rms
0.000200	Grms/v(Hz)	0.001962	m/s ² rms/v(Hz)
0.000050	Grms/v(Hz)	0.0004905	m/s ² rms/v(Hz)
0.000008	Grms/v(Hz)	0.00007848	m/s ² rms/v(Hz)
0.000006	Grms/v(Hz)	0.00005886	m/s ² rms/v(Hz)
0.000004	Grms/v(Hz)	0.00003924	m/s ² rms/v(Hz)
1	% F.S.	1	% F.S.
≤5	%	≤5	%
0.003	g/µε	0.03	m/s ² /µε

ENVIRONMENTAL

Maximum Vibration
Maximum Shock
Magnetic Sensitivity
Thermal Transient Sensitivity
Temperature Range
Seal

± 500	Gpeak	± 4905	m/s ² peak
± 10000	Gpeak	± 98100	m/s ² peak
0.1	µG/gauss	0.1	µG/gauss
0.2	G/°F	0.4	G/°F
-65 to +250	°F	-54 to +121	°C
Hermetic		Hermetic	

ELECTRICAL

Supply Current Range [3]
Compliance Voltage Range
Output Impedance, Typ
Bias Voltage
Discharge Time Constant

2 to 20	mA	2 to 20	mA
18 to 30	Volts	18 to 30	Volts
≤100	Ω	≤100	Ω
7 to 9	VDC	7 to 9	VDC
> 6.2	Sec	> 6.2	Sec

This family also includes:

Model	Sensitivity (mV/g)	Frequency Response (Hz)	Time Constant (Sec)	Operating Temp (°F)

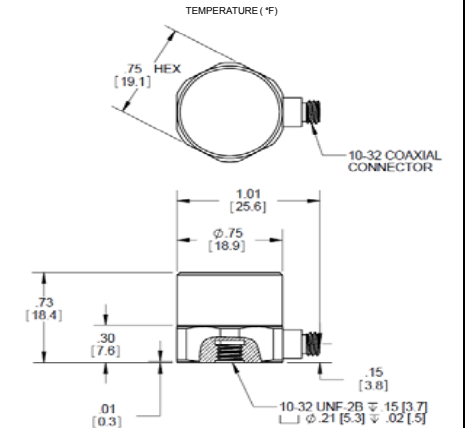
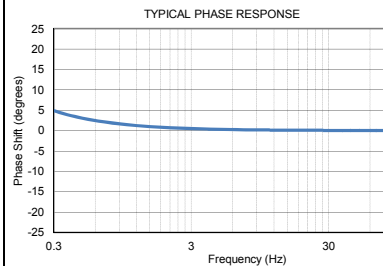
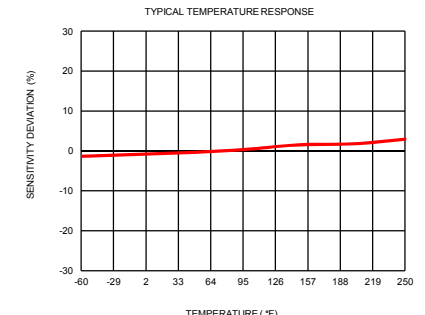
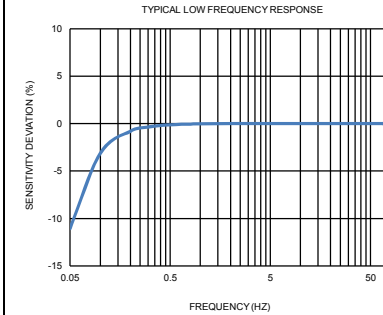
Refer to the performance specifications of the products in this family for detailed description

Supplied Accessories:

- 1) Accredited calibration certificate (ISO 17025)
- 2) Model 6200 mounting stud, qty 1.

Notes:

- [1] Measured at 100Hz, 1 Grms per ISA RP 37.2.
- [2] Measured using zero-based straight line method, % of F.S. or any lesser range.
- [3] Do not apply power to this system without current limiting, 20 mA MAX. To do so will destroy the IC charge amplifier.
- [4] Due to the extremely long discharge time constant the sensor might exhibit spiking during fast thermal transients
- [5] In the interest of constant product improvement, we reserve the right to change specifications without notice.



Units on the line drawing are in inches, units in brackets are in millimeters. Refer to 127-3312AT for more information.



21592 Marilla Street, Chatsworth, California 91311 Phone: 818.700.7818 Fax: 818.700.7880 www.dytran.com
For permission to reprint this content, please contact info@dytran.com