

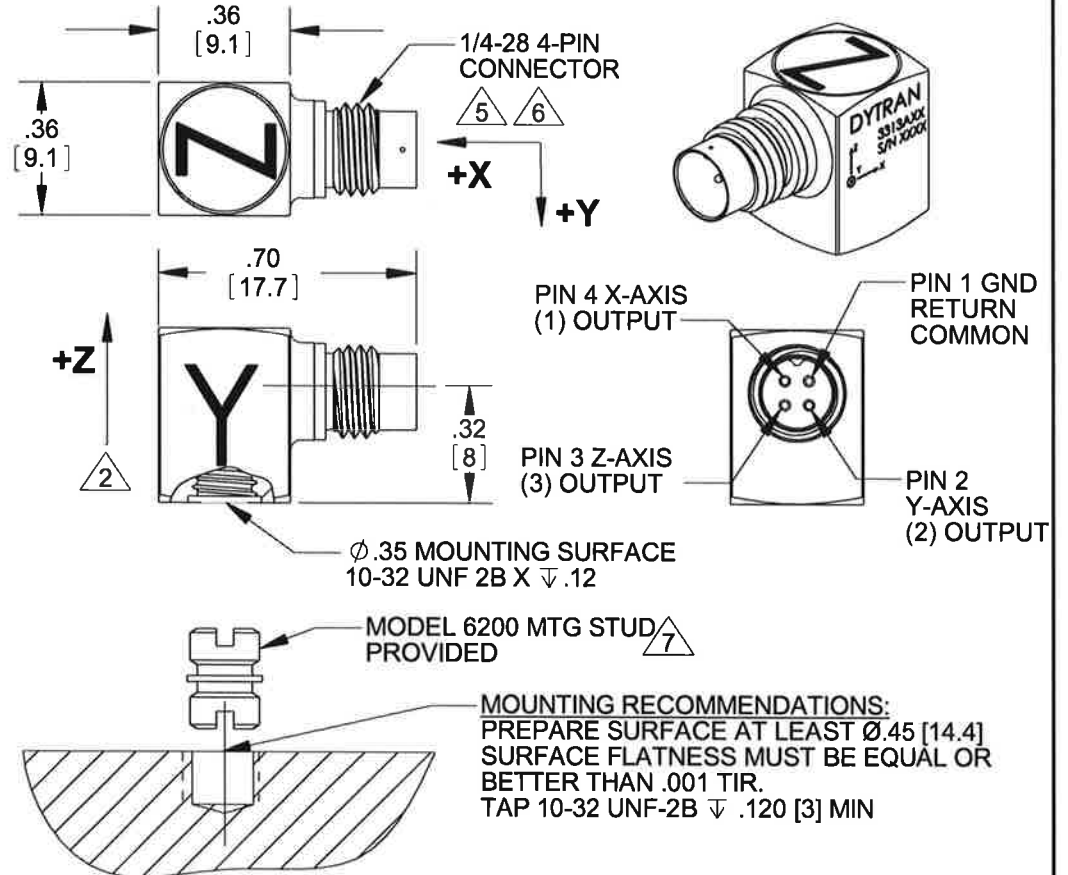
PROPRIETARY AND CONFIDENTIAL

THE INFORMATION CONTAINED IN THIS DRAWING IS THE SOLE PROPERTY OF DYTRAN INSTRUMENTS INC. ANY REPRODUCTION IN PART OR AS A WHOLE WITHOUT THE WRITTEN PERMISSION OF DYTRAN INSTRUMENTS, INC. IS PROHIBITED

REVISIONS

REV.	ECN	DESCRIPTION	BY/DATE	CHK	APPR
B	13039	ADDED 3313A4	LN 09/07/16	Em	AS

MODEL	SENSITIVITY	OPERATING TEMPERATURE
3313A1	1 mV/g	-60° TO 250° F
3313A2	5 mV/g	-60° TO 250° F
3313A3	10 mV/g	-60° TO 250° F
3313A1H	1 mV/g	-60° TO 325° F
3313A2H	5 mV/g	-60° TO 325° F
3313A3H	10 mV/g	-60° TO 325° F
3313A4	5 mV/g	-320° TO 250° F



7 RECOMMENDED MOUNTING TORQUE 6-8 lb-in.

6 3313AXH MATES WITH DYTRAN 6811AXX CABLE (XX= LENGTH IN FEET)

5 3313AX MATES WITH DYTRAN 6811AXX OR 6824AXX CABLE (XX= LENGTH IN FEET)

- 4. SENSITIVITY: SEE CHART
- 3. WEIGHT: 4 GRAMS APPROX.

2 ARROWS INDICATE ACCELERATION DIRECTION FOR POSITIVE OUTPUT

1. MATERIAL: TITANIUM ALLOY

NOTES: UNLESS OTHERWISE SPECIFIED

MOUNTING RECOMMENDATIONS:
 PREPARE SURFACE AT LEAST Ø.45 [14.4]
 SURFACE FLATNESS MUST BE EQUAL OR BETTER THAN .001 TIR.
 TAP 10-32 UNF-2B ∇ .120 [3] MIN

USED ON	NEXT ASSY	UNLESS OTHERWISE SPECIFIED: INTERPRET DIM & TOL PER ASME Y14.5M - 1994. REMOVE BURRS. COUNTERSINK INTERNAL THDS 90° TO MAJOR DIA. CHAM EXT THDS 45° TO MINOR DIA. THD LENGTHS AND DEPTHS ARE FOR MIN FULL THDS. THDS PER MIL-S-7742. DIMENSIONS APPLY AFTER FINISHING. ALL MACHINED SURFACES. TOTAL RUNOUT WITHIN .005. BREAK SHARP EDGES .005 TO .010. MACHINED FILLET RADII .005 TO .015. WELDING SYMBOLS PER AWS A2.4. ABBREVIATIONS PER MIL-STD-12.
APPLICATION		
THIRD ANGLE PROJECTION USA		UNLESS OTHERWISE SPECIFIED: DIMENSIONS ARE IN INCHES. DIMENSIONS IN BRACKETS [] ARE IN MILLIMETERS TOLERANCES ARE: INCHES METRIC ANGLES .XX ± .03 .X ± 0.8 ± 1° .XXX ± .010 .XX ± 0.25
		MATERIAL FINISH DO NOT SCALE DRAWING

CONTRACT NO.	
APPROVALS	
ORIG	DATE
CHK JS	06/04/10
APP Em	11/8/16
APP AS	11/10/16

DYTRAN INSTRUMENTS, INC. Chatsworth, CA

MASTER ONLY IF IN RED

TITLE: **OUTLINE/INSTALLATION DRAWING, 3313A SERIES**

SIZE A	CAGE CODE 2W033	DWG. NO. 127-3313A	REV B
SCALE: 2:1	SOLIDWORKS	SHEET 1 OF 1	

Model Number 3313A3	PERFORMANCE SPECIFICATION	DOC NO PS3313A3
	TRIAxIAL IEPE ACCELEROMETER	REV C , ECN 8872 07/16/12



- **WEIGHT ONLY 4 GRAMS**
- **EXCELLENT LINEARITY**
- **TEMPERATURE STABILITY**
- **HERMETICALLY SEALED**

PHYSICAL

Weight, Max Connector
 Mounting Provision Tapped Hole
 Material : Housing / Connector
 Element Style

ENGLISH		SI	
0.14	oz	4.1	grams
1/4-28. 4 - Pin		1/4-28. 4 - Pin	
10-32		10-32	
Titanium		Titanium	
Quartz Planar Shear		Quartz Planar Shear	

PERFORMANCE

Sensitivity, ±10% [1]
 Range F.S (each axis)
 Frequency Response, ± 15%
 Equivalent Natural Frequency
 Equivalent Electrical Noise, Max
 Linearity [2]
 Maximum Transverse sensitivity
 Signal Polarity [3]

10	mV/g	1.02	mV/m/s ²
±500	g	±4905	m/s ²
1.2 to 10000	Hz	1.2 to 10000	Hz
> 30	kHz	> 30	kHz
0.007	grms	0.07	m/s ² rms
± 1	% F.S.	± 1	% F.S.
5	%	5	%
Positive		Positive	

ENVIRONMENTAL

Maximum Vibration
 Maximum Shock
 Temperature Range
 Seal
 Base Strain

± 600	g's,peak	± 5886	m/s ² peak
±5000	g's,peak	± 49050	m/s ² peak
-60 to +250	°F	-51 to +121	°C
Hermetic		Hermetic	
0.006	g/μe	0.06	m/s ² /μe

Electrical

Supply Current Range
 Compliance (Supply) Voltage Range
 Output Impedance, Typ
 Bias Voltage
 Discharge Time Constant
 Ground Isolation

2 to 20	mA	2 to 20	mA
+ 18 to +30	Volts	+ 18 to +30	Volts
100	Ω	100	Ω
+7 to +9	VDC	+7 to +9	VDC
0.2 to 1.0	Sec	0.2 to 1.0	Sec
Case Ground		Case Ground	

This family also includes:

Model	Sensitivity (mV/g)	Range F.S (g)	Time Constant (sec)	Operating Temperature (°F)
3313A1	1	± 5000	0.2 to 1.0	-60 to +250
3313A2	5	± 1000	0.2 to 1.0	-60 to +250

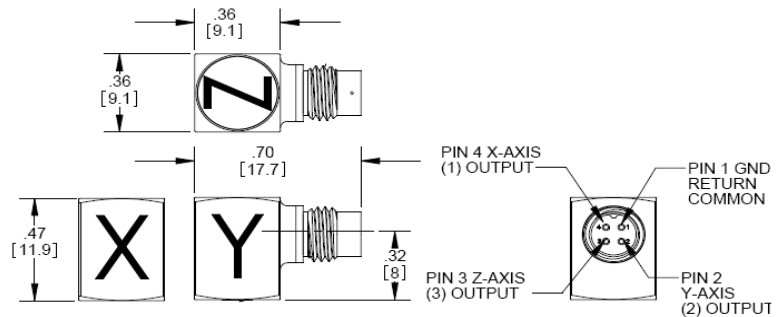
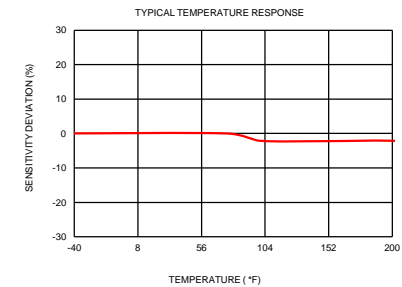
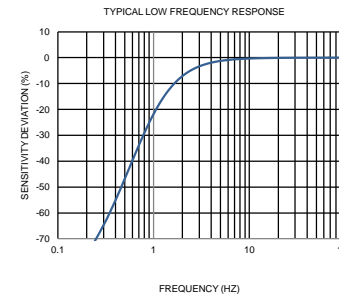
Please, refer to the performance specifications of the products in this family for detailed description

Supplied Accessories:

- 1) Accredited calibration certificate (ISO 17025)
- 2) Model 6160 mounting stud

Notes:

- [1] Measure at 100Hz, 1 grms per ISA RP 37.2
- [2] Measure using zero-based straight line method, % of F.S. or any lesser range.
- [3] For motion in direction of arrows on housing.
- [4] Do not apply power to this system without current limiting, 20 mA MAX. To do so will destroy the IC charge amplifier.
- [5] In the interest of constant product improvement, we reserve the right to change specifications without notice.
- [6] Mates with Dytran 6811AXX or 6824AXX cable (XX = Length in feet)



Units on the line drawing are in inches. Refer to 127-3313A for more information.



21592 Marilla Street, Chatsworth, California 91311 Phone: 818.700.7818 Fax: 818.700.7880 www.dytran.com
 For permission to reprint this content, please contact info@dytran.com