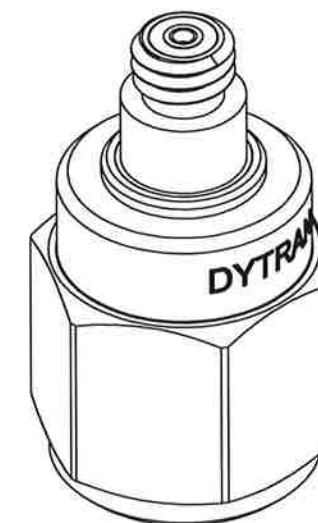
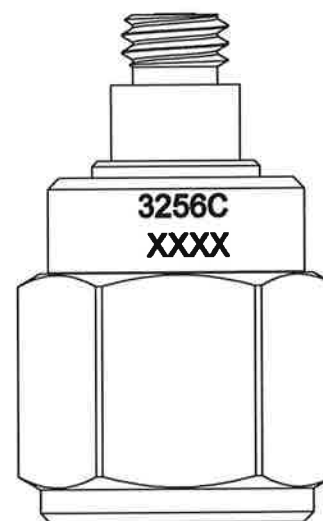
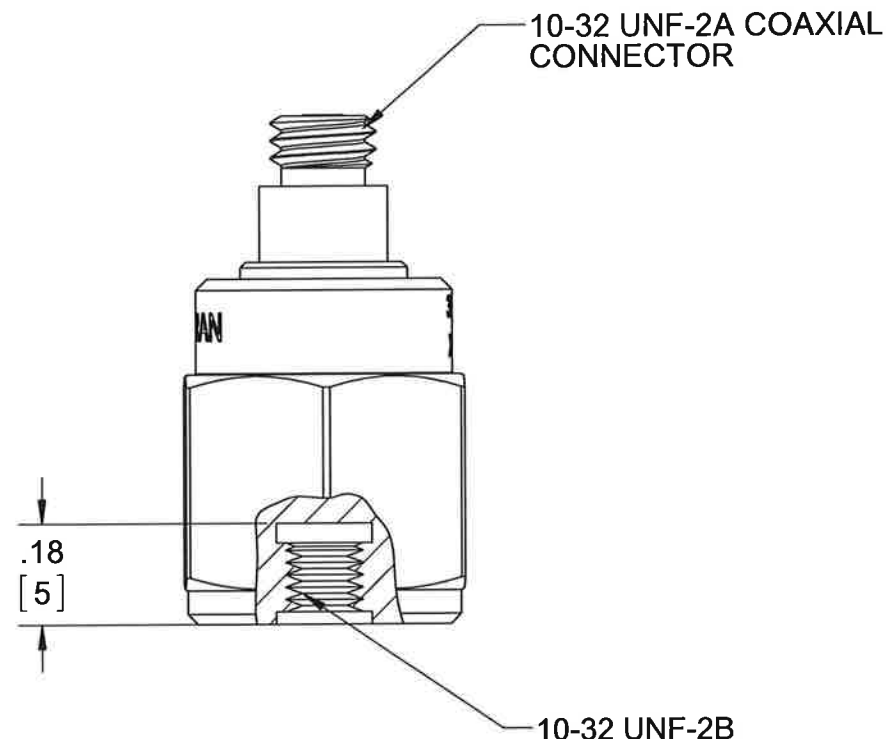
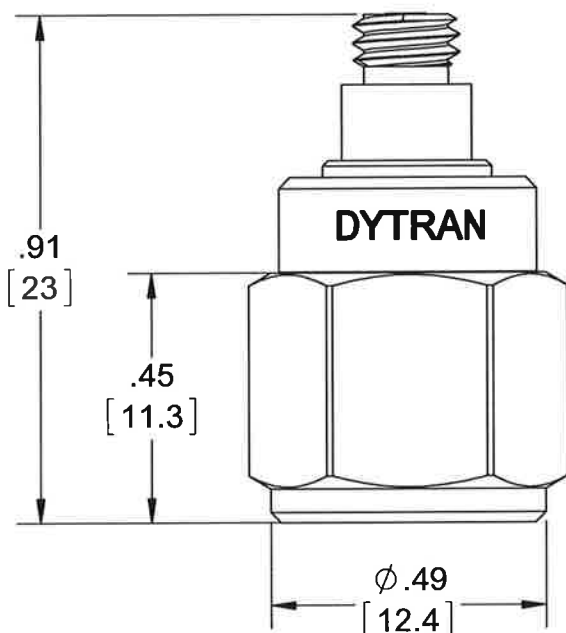
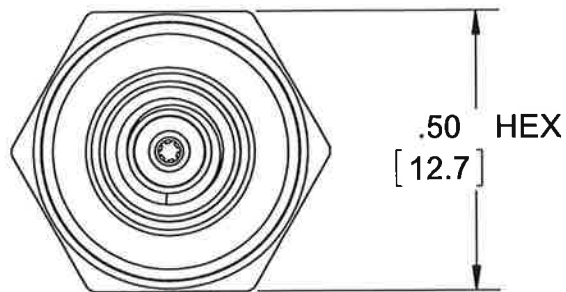


PROPRIETARY AND CONFIDENTIAL

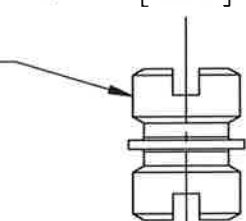
THE INFORMATION CONTAINED IN THIS DRAWING IS THE SOLE PROPERTY OF DYTRAN INSTRUMENTS INC. ANY REPRODUCTION IN PART OR AS A WHOLE WITHOUT THE WRITTEN PERMISSION OF DYTRAN INSTRUMENTS INC. IS PROHIBITED

REVISIONS

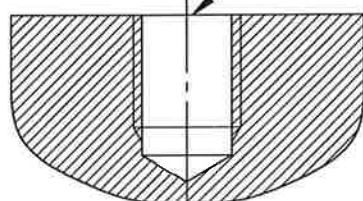
REV.	ECN	DESCRIPTION	BY/DATE	CHK	APPR
A	4930	INITIAL RELEASE	JS 12/04/07	RA	PML
B	11745	MOVED MARKING FROM HEX TO DIAMETER.	NDC 02/25/15	LN	DV
C	11835	REDESIGED SEE ECN	RA, 05/18/15	EM	W



10-32 UNF-2A MODEL 6200 MTG STUD PROVIDED



MOUNTING SURFACE HOLE PREPARATION: SELECT SURFACE FLAT TO .001 TIR TAP 10-32 UNF-2B X .200 MIN THD DEPTH



NOTES: UNLESS OTHERWISE SPECIFIED

UNLESS OTHERWISE SPECIFIED: INTERPRET DIM & TOL PER ASME Y14.5M - 1994. REMOVE BURRS. COUNTERSINK INTERNAL THDS 90° TO MAJOR DIA. CHAM EXT THDS 45° TO MINOR DIA. THD LENGTHS AND DEPTHS ARE FOR MIN FULL THDS. DIMENSIONS APPLY AFTER FINISHING.

ALL MACHINED SURFACES. TOTAL RUNOUT WITHIN .005. BREAK SHARP EDGES .005 TO .010. MACHINED FILLET RADII .005 TO .015. WELDING SYMBOLS PER AWS A2.4. ABBREVIATIONS PER MIL-STD-12.

DECIMALS	METRIC	ANGLES
.XX ±.03	X ± 0.8	±1°
.XXX ±.010	.XX ±0.25	

APPROVALS		DATE
ORIG	JS	12/04/07
CHK	RA	12/06/07
APP	PML	12/06/07

DO NOT SCALE DRAWING

THIRD ANGLE PROJECTION USA

**DYTRAN** MASTER INSTRUMENTS, INC. ONLY IF IN RED Chatsworth, CA

TITLE: **OUTLINE/INSTALLATION, MODEL 3256C**

SIZE	CAGE CODE	DWG NO	REV
B	2W033	127-3256C	C

SCALE: 2:1 SHEET 1 OF 1

<b>MODEL NUMBER</b> <b>3256C</b>	<b>PERFORMANCE SPECIFICATION</b>	<b>DOC NO.</b> <b>PS3256C</b>
-------------------------------------	----------------------------------	----------------------------------

Accelerometer, Charge Mode

REV C, ECN 13000, 10/14/16



- HERMETICALLY SEALED
- HIGH CHARGE OUTPUT
- ROBUST DESIGN

**PHYSICAL**

Weight  
Connector [1]  
Housing  
Sensing Element

Type  
Material  
Material  
Isolation  
Material  
Mode

	ENGLISH		SI	
Weight	0.35	oz	10.0	grams
Connector [1]	Coaxial		Coaxial	
Housing	Titanium		Titanium	
Sensing Element	Titanium		Titanium	
	Case Grounded		Case Grounded	
	Ceramic		Ceramic	
	Shear		Shear	

**PERFORMANCE**

Sensitivity, ± 15% [2]  
Acceleration Range [3]  
Frequency Range, ±5%  
Resonance Frequency  
Linearity [4]  
Transverse Sensitivity Max

	15	pC/g	1.53	pC/m/s <sup>2</sup>
Acceleration Range [3]	[3]	Gpeak	[3]	m/s <sup>2</sup> peak
Frequency Range, ±5%	[5] 5000	Hz	[5] 5000	Hz
Resonance Frequency	32	kHz	32	kHz
Linearity [4]	±1	%	±1	%
Transverse Sensitivity Max	5	%	5	%

**ENVIRONMENTAL**

Shock Max  
Vibration Max  
Operating Temperature  
Seal  
Magnetic Sensitivity at 100 Gauss  
Base Strain Sensitivity

	3000	g pk	29430	m/s <sup>2</sup>
Shock Max	600	g pk	5886	m/s <sup>2</sup>
Vibration Max	-60 to +375	°F	-51 to +190	°C
Operating Temperature	Hermetic		Hermetic	
Seal	0.00007	g/Gauss	0.0006867	m/s <sup>2</sup> /Gauss
Magnetic Sensitivity at 100 Gauss	0.05	g/με	0.4905	m/s <sup>2</sup> /με
Base Strain Sensitivity				

**ELECTRICAL**

Capacitance, nom

	975	pF	975	pF
--	-----	----	-----	----

**This family also includes:**

Model	Sensitivity (pC/g)	Range (Gpeak)	Resolution (Grms)	Oper. Temp(°F)

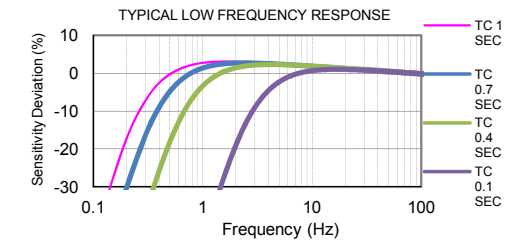
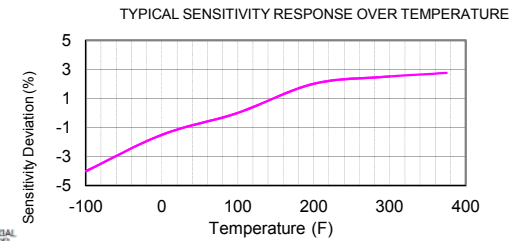
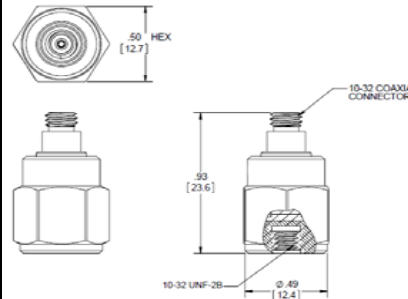
Please, refer to the performance specifications of the products in this family for detailed description

**Supplied Accessories:**

- 1) Model 6200 Mounting Stud
- 2) Accredited Calibration Certificate (ISO 17025)

**Notes:**

- [1] Mates with Dytran cable Model 6013AXX or 6019AXX (XX= Length in feet).
- [2] Measured At 100 Hz, 1 Grms per ISA RP 37.2
- [3] Depends On the Gain Setting Of The Charge Amplifier Used
- [4] Measured using zero-based best straight line method, % of F.S. or any lesser calibrated range.
- [5] Low Frequency Response Is the Function Of the Discharge Time Constant Of The Charge Amplifier Used. Please, Refer To The Plot Below For Frequency Response For Different Time Constants



Units on the line drawing are in inches, units in brackets are in millimeters. Refer to 127-3256C for more



21592 Marilla Street, Chatsworth, California 91311 Phone: 818.700.7818 Fax:818.700.7880