

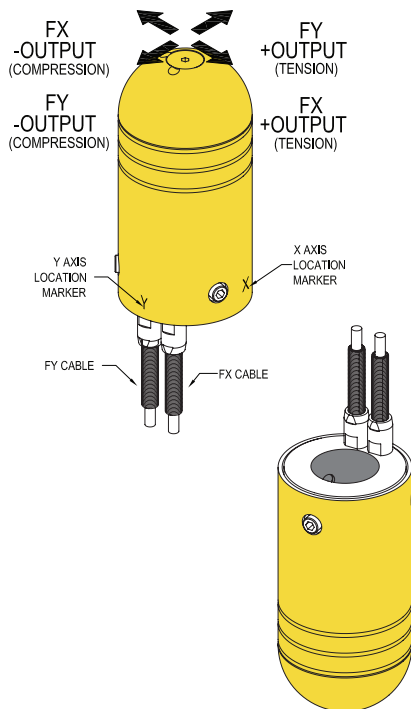


FEATURES

- Ideal for automotive gearshift actuation force measurement applications
- Intended for manual use/human testing
- Ideal for aerospace control stick pull/push force auditing

Active end

Fixed end



SPECIFICATIONS

PERFORMANCE

Nonlinearity	±0.25% of RO
Nonrepeatability	±0.25% of RO

ELECTRICAL

Rated Output (RO)	2 mV/V nom
Excitation (VDC or VAC)	20 max
Bridge Resistance	350 Ohm nom
Insulation Resistance	≥500 MOhm @ 50 VDC
Connection	#28 AWG, 4 conductor braided shielded PVC cable 10 ft [3 m] long

Wiring Code WC1

MECHANICAL

Weight	9 oz (255 g)
Safe Overload	150% of RO
Material	Aluminum, red anodized
IP Rating	IP40

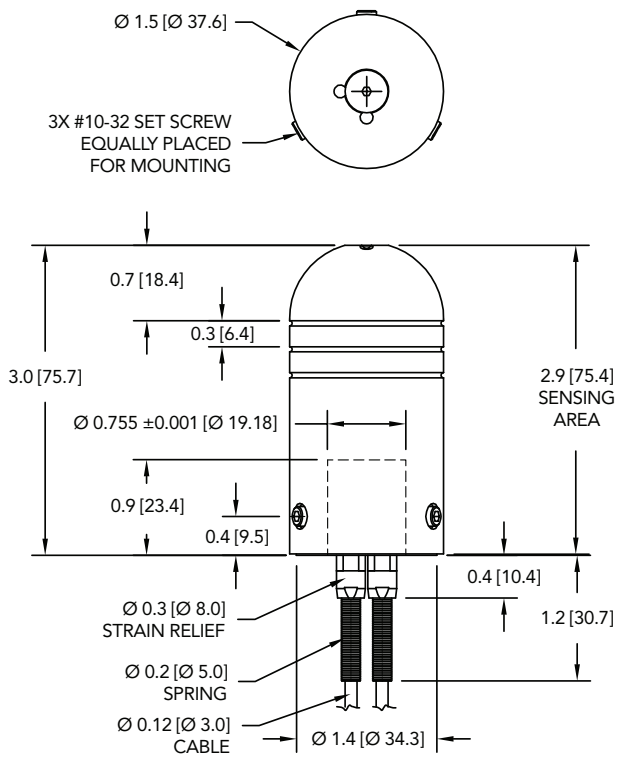
TEMPERATURE

Operating Temperature	-40 to 160°F [-40 to 72°C]
Compensated Temperature	60 to 160°F [15 to 72°C]
Temperature Shift Zero	±0.02% of RO/°F [0.036% of RO/°C]
Temperature Shift Span	±0.02% of Load/°F [0.036% of Load/°C]

CALIBRATION

Calibration Test Excitation	10 VDC
Calibration (standard)	5-pt Tension
Calibration (available)	5-pt Compression and Tension
Shunt Calibration Value	60.4 kOhm

DIMENSIONS inches [mm]

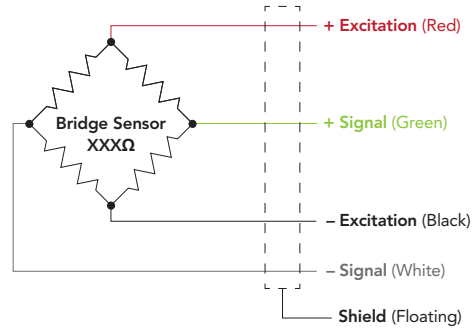


CAPACITIES

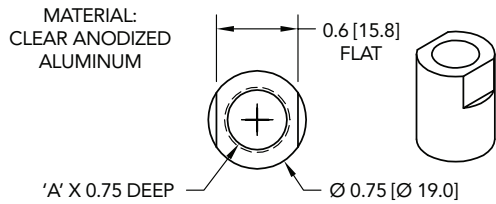
ITEM #	lb	N	Deflection (in) (Fx / Fy)	Natural Frequency (Hz)
FSH00944	100	445	0.009	600
FSH01985	200	890	-	-

WIRING CODE (WC1 WITH SHIELD)

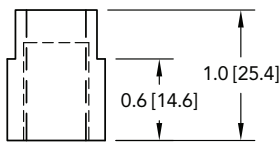
RED	+ EXCITATION
BLACK	- EXCITATION
GREEN	+ SIGNAL
WHITE	- SIGNAL
SHIELD	FLOATING



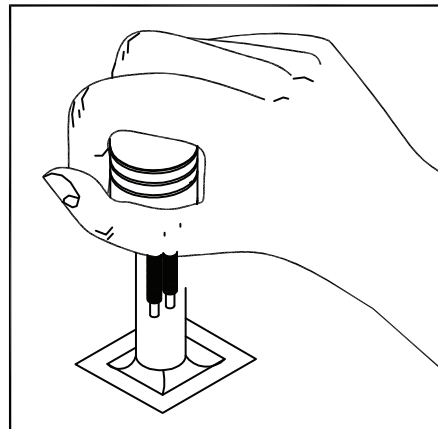
GEAR SHIFT ADAPTER ACCESSORIES



ITEM #	'A'
MCP01427	5/16-18
MCP01428	3/8-16
MCP01429	3/8-24
MCP01430	1/2-20
MCP01432	M10x1.25
MCP01473	M12x1.25



STICK SHIFT APPLICATION



Drawing Number: FI1035-C

FUTEK reserves the right to modify its design and specifications without notice. Please visit www.futek.com/salesterms for complete terms and conditions.

10 Thomas, Irvine, CA 92618 USA

Tel: (949) 465-0900

Fax: (949) 465-0905

www.futek.com



U.S. Manufacturer