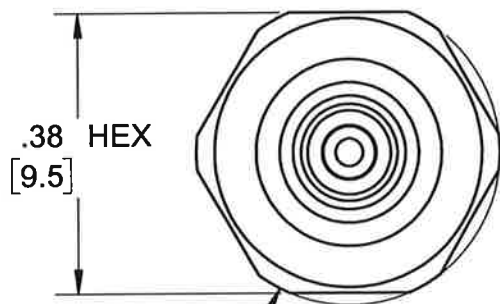


PROPRIETARY AND CONFIDENTIAL

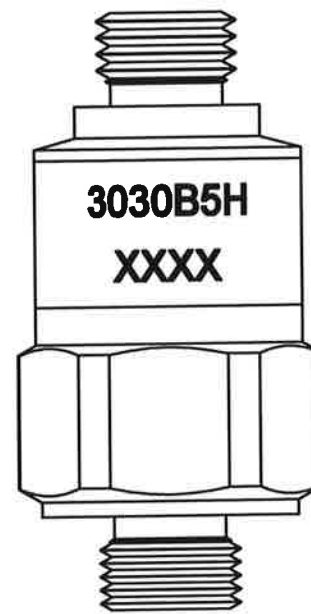
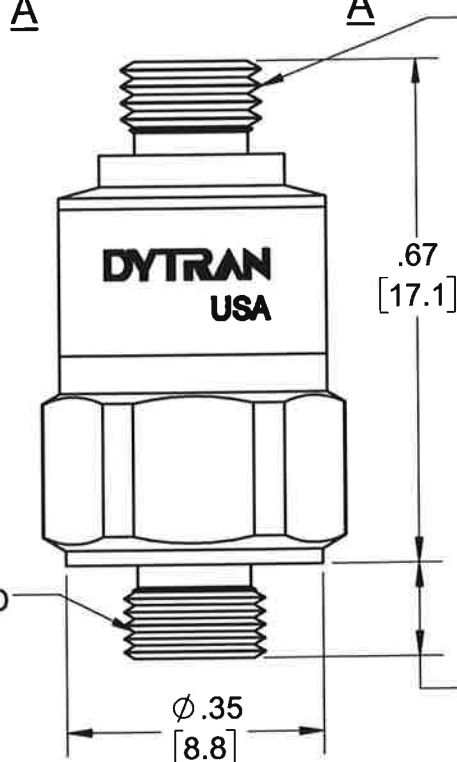
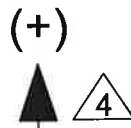
THE INFORMATION CONTAINED IN THIS DRAWING IS THE SOLE PROPERTY OF DYTRAN INSTRUMENTS INC. ANY REPRODUCTION IN PART OR AS A WHOLE WITHOUT THE WRITTEN PERMISSION OF DYTRAN INSTRUMENTS INC. IS PROHIBITED

REVISIONS

REV	ECN	DESCRIPTION	BY/DATE	CHK	APPR
B	12932	REDRAWN IN SOLIDWORKS	RA, 09/12/16	EM	W



VIEW A-A
SCALE 4 : 1

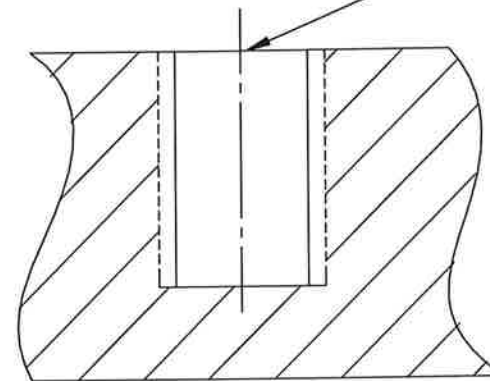


REAR VIEW

10-32 UNF-2A THREAD

10-32 COAXIAL CONNECTOR

MOUNTING RECOMENDATIONS: PREPARE FLAT MOUNTING SURFACE Ø.50 [12.7] MIN, FLAT TO .001 TIR. DRILL AND TAP 10-32 UNF-2B ∇ .15 [3.8] MIN. RECOMMENDED MOUNTING TORQUE: 15 LB IN +0/-5 LB IN



- 4 ARROW INDICATES SENSE AND DIRECTION OF ACCELERATION FOR POSITIVE - GOING OUTPUT SIGNAL
- 3 PREPARE FLAT SURFACE TO THIS DIA. WITH A FINISH OF OR BETTER AND FLAT TO .001 TIR.
- 2 PREPARE MOUNTING SURFACE AS SHOWN. APPLY A LAYER OF SILICONE GREASE TO MOUNTING SURFACE. TORQUE IN PLACE WITH 15 LB-IN.

1. HOUSING MATERIAL: 316L STAINLESS STEEL

NOTES: UNLESS OTHERWISE SPECIFIED

UNLESS OTHERWISE SPECIFIED:
 INTERPRET DIM & TOL PER ASME Y14.5M - 1994.
 REMOVE BURRS.
 COUNTERSINK INTERNAL THDS 90° TO MAJOR DIA.
 CHAM EXT THDS 45° TO MINOR DIA.
 THD LENGTHS AND DEPTHS ARE FOR MIN FULL THDS.
 DIMENSIONS APPLY AFTER FINISHING.

ALL MACHINED SURFACES.
 TOTAL RUNOUT WITHIN .005.
 BREAK SHARP EDGES .005 TO .010.
 MACHINED FILLET RADII .005 TO .015.
 WELDING SYMBOLS PER AWS A2.4.
 ABBREVIATIONS PER MIL-STD-12.

UNLESS OTHERWISE SPECIFIED: DIMENSIONS ARE IN INCHES. DIMENSIONS IN BRACKETS [] ARE IN MILLIMETERS TOLERANCES ARE:		
DECIMALS	METRIC	ANGLES
.XX ±.03	.X ±0.8	±1°
.XXX ±.010	.XX ±0.25	
APPROVALS		DATE
ORIG	N.C.	12/07/95
CHK	CES	1/29/07
APP	CES	1/29/07
DO NOT SCALE DRAWING		THIRD ANGLE PROJECTION USA

DYTRAN MASTER INSTRUMENTS INC.
 Chatsworth, CA - U.S.A.

TITLE: **OUTLINE/INSTALLATION DRWING, MODEL SERIES 3030B5H**

SIZE B	CAGE CODE 2W033	DWG NO 127-3030B5H	REV B
---------------	------------------------	---------------------------	--------------

SCALE: 2:1 SHEET 1 OF 1

Model Number 3030B5H	PERFORMANCE SPECIFICATION	DOC NO PS3030B5H
MINIATURE IEPE ACCELEROMETER		REV D, ECN 12932, 09/13/16



- **MINIATURE SIZE**
- **EXCELLENT LINEARITY**
- **HERMETICALLY SEALED**
- **HIGH OPERATING TEMPERATURE**

PHYSICAL

Weight	0.25 oz
Size	0.375 x 0.67 inches
Connector	10-32 Micro Coax
Mounting Provision	10-32 (UNF-2A)
Material	17-4 PH/ 304L
Element Style	Quartz Compression

ENGLISH		SI	
Weight	0.25 oz	7.2	grams
Size	0.375 x 0.67 inches	9.525 x 17.01	mm
Connector	10-32 Micro Coax	10-32 Micro Coax	
Mounting Provision	10-32 (UNF-2A)	10-32 (UNF-2A)	
Material	17-4 PH/ 304L	17-4 PH/ 304L	
Element Style	Quartz Compression	Quartz Compression	

PERFORMANCE

Sensitivity, ±5% [1]	10 mV/g	1	mV/m/s ²
Range F.S for ± 5 Volts Output	±500 g	±4905	m/s ²
Frequency Response, ±5%	5 to 10000 Hz	5 to 10000	Hz
Resonant Frequency, Nom	30 kHz	30	kHz
Equivalent Electrical Noise Floor	0.0036 Grms	0.0353	m/s ² rms
Linearity [2]	± 1% % F.S.	± 1%	% F.S.
Maximum Transverse sensitivity	5 %	5	%
Strain Sensitivity @ 250µε	0.003 g/µε	0.03	m/s ² /µε

ENVIRONMENTAL

Maximum Vibration	±1000 Gpeak	±9810	m/s ² peak
Maximum Shock	±3000 Gpeak	±29430	m/s ² peak
Temperature Range	-60 to +325 °F	-54 to 163	°C
Seal, Hermetic	Welded/Glass To Metal	Welded/Glass To Metal	

ELECTRICAL

Supply Current Range [3]	2 to 20 mA	2 to 20	mA
Compliance Voltage Range	+ 18 to +30 Volts	+ 18 to +30	Volts
Output Impedance, Typ	100 Ω	100	Ω
Bias Voltage	7.5 to 11 VDC	7.5 to 11	VDC
Discharge Time Constant	0.1 to 0.3 Sec	0.1 to 0.3	Sec

This family also includes:

Model	Sensitivity (mV/g)	Frequency Response (Hz)	Time Constant (Sec)	Operating Temp (°F)
3030B4	10	2 to 10000	0.5 to 1	-60 to 250
3030B5	10	5 to 10000	0.1 to 0.3	-60 to 250

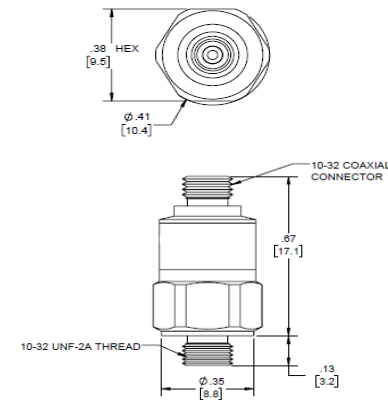
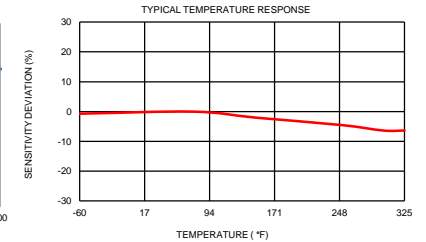
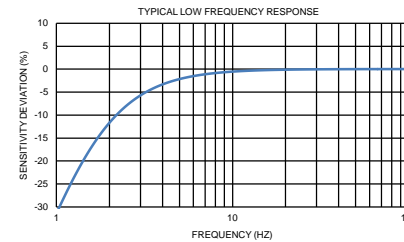
Please refer to the performance specifications of the products in this family for detailed description

Supplied Accessories:

- 1) Accredited calibration certificate (ISO 17025)

Notes:

- [1] Measure at 100Hz, 1 Grms per ISA RP 37.2
- [2] Measure using zero-based straight line method, % of F.S. or any lesser range.
- [3] Do not apply power to this system without current limiting, 20 mA MAX. To do so will destroy the IC charge amplifier.



Units on the line drawing are in inches, units in brackets are in millimeters. Refer to 127-3030B5H for more information.



21592 Marilla Street, Chatsworth, California 91311 Phone: 818.700.7818 Fax: 818.700.7880 www.dytran.com
 For permission to reprint this content, please contact info@dytran.com