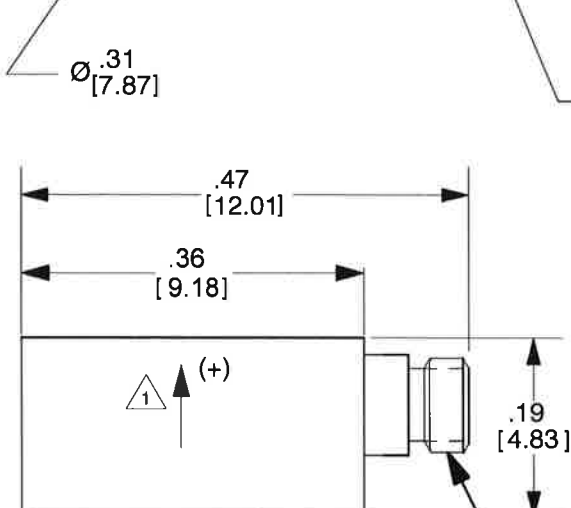
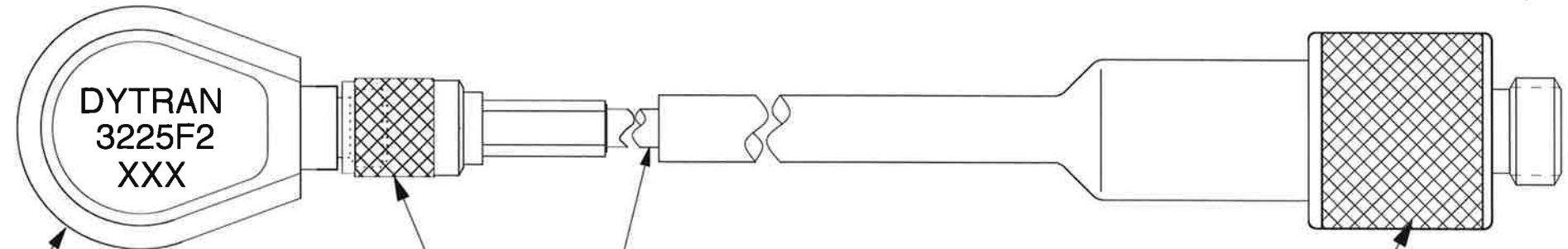


REV	ECN	DESCRIPTION	BY/DATE	CHK	APPR
B	9494	UPDATED VIEW OF CONNECTOR	AB 05/03/13	JS	AS
C	11386	ADDED HOUSING LENGTH	MH 10/28/14	LN	<i>[Signature]</i>



MODEL 6003A03 CABLE, LENGTH 3 FT. (INCLUDED)

KNURLED CABLE NUT. TIGHTEN ONLY BY HAND. DO NOT USE PLIERS TO TIGHTEN. TO INSTALL, DO NOT ROTATE ACCELEROMETER INTO CABLE END BUT RATHER ROTATE CABLE NUT.

10-32 COAXIAL CONNECTOR, JACK (PART OF 6003A03 CABLE, INCLUDED)

COAXIAL CONNECTOR, DYTRAN SPECIAL 3-56 THREAD. MATES ONLY WITH MODEL 6003AXX CABLE

MOUNTING SURFACE ADHESIVE MOUNT WITH CYANOACRYLATE ADHESIVE OR DYTRAN MOUNTING WAX - MODEL 6273



ACTUAL SIZE

3. CASE MATERIAL: ANODIZED ALUMINUM.
2. WEIGHT LESS CABLE: 1 GRAM.

1. ARROW INDICATES SENSE AND DIRECTION OF INPUT ACCELERATION FOR POSITIVE GOING OUTPUT SIGNAL.

DYTRAN INSTRUMENTS, INC.		MASTER ONLY IF IN RED		CHATSWORTH, CA.	
SCALE 5X	REV -	DATE -	ECN SEE REV BLOCK		
DATE 10/20/05	PART NO.				
DRAWN R.A.	CHECKED	MAT'L			
APPROVED <i>[Signature]</i> 11/6/14	NEXT ASSEMBLY		USED ON		
TITLE OUTLINE/INSTALLATION DRAWING, MODEL 3225F2				DWG NO. 127-3225F2	
SHEET 1 OF 1					

MODEL NUMBER 3225F2	PERFORMANCE SPECIFICATION	DOC NO. PS3225F2
	ACCELEROMETER, IEPE	REV A, ECN 12537, 03/01/16



- MINIATURE SIZE
- REMOVABLE CABLE WITH 10-32 CONNECTOR
- HERMETICALLY SEALED
- CASE ISOLATED

This family also includes:

Model	Sensitivity (mV/g)	Range (g's)	Resolution (Grms)	Oper. Temp(°F)	TC

Refer to the performance specifications of the products in this family for detailed description.

Supplied Accessories

- 1) Model 6591A installation wrench
- 2) Model 6298 small petro mounting wax
- 3) Accredited calibration certificate (ISO 17025)

Notes:

- [1] Flat mounting surface for adhesive mount.
- [2] Mates with Dytran cable 6003A.
- [3] Measured at 100 Hz, 1 grms per ISA RP37.2.
- [4] Percent of full scale or any lesser range, zero based best-fit straight line method.
- [5] Do not apply power to this device without current limiting, 20mA max, to do so will destroy the integral IC amplifier
- [6] In the interest of constant product improvement, we reserve the right to change specifications without notice.

PHYSICAL

Weight, Max
Size (Dia. X Length Hex X Height)
Mounting Provision
Connector, Radially Mounted [2]
Case Material
Sensing Element Type

ENGLISH		SI
0.04	oz	1.0 grams
0.31 x 0.48 x 0.19	in	7.9 x 12.2 x 4.8 mm
[1]		[1]
3-56		3-56
Aluminum, Anodized		Aluminum, Anodized
Quartz, Planar Shear		Quartz, Planar Shear

PERFORMANCE

Sensitivity, ± 10% [3]
Range F.S For ± 5 Volts Out
Frequency Response, ± 5%
, ± 10%
Mounted Resonant Frequency
Amplitude Non-Linearity [4]
Transverse Sensitivity, Max.
Noise Resolution
Strain Sensitivity @250/μe

10	mV/g	1.0	mV/m/s ²
± 500	g's	± 4905	m/s ²
2 to 5000	Hz	2 to 5000	Hz
2 to 10,000	Hz	2 to 10,000	Hz
> 60	kHz	> 60	kHz
± 1	% F.S	± 1	% F.S
5	%	5	%
0.006	grms	0.059	m/s ² rms
0.05	g/μe	0.49	m/s ² /μe

ENVIRONMENTAL

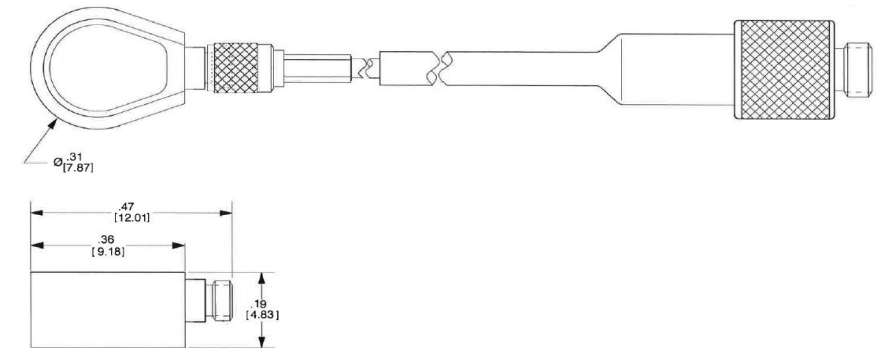
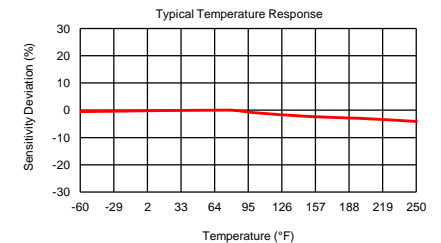
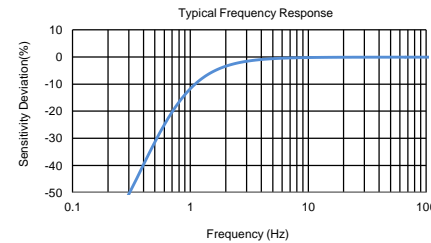
Maximum Vibration
Maximum Shock
Temperature Range
Environmental Seal

400	Grms	3924	m/s ² rms
5000	Gpeak	49050	m/s ² peak
-60 to +250	°F	-51 to +121	°C
Hermetic		Hermetic	

ELECTRICAL

Supply Current [5]
Compliance Voltage
Output Impedance, Typ.
Bias Voltage
Discharge Time Constant
Case Isolation, Min.

2 to 20	mA	2 to 20	mA
+18 to +30	Volts	+18 to +30	Volts
70	Ω	70	Ω
+7 to +11	VDC	+7 to +11	VDC
0.3 to 1.0	Sec	0.3 to 1.0	Sec
10	GΩ	10	GΩ



Units on the line drawing are in inches, units in brackets are in millimeters. Refer to 127-3225F2 for more information.

