

PROPRIETARY AND CONFIDENTIAL

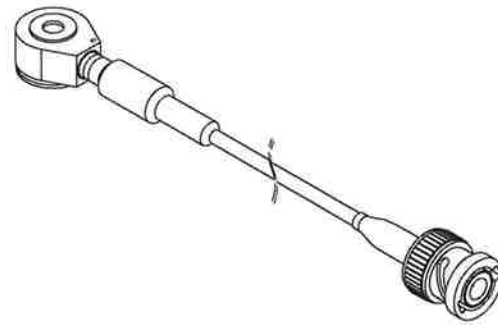
THE INFORMATION CONTAINED IN THIS DRAWING IS THE SOLE PROPERTY OF DYTRAN INSTRUMENTS INC. ANY REPRODUCTION IN PART OR AS A WHOLE WITHOUT THE WRITTEN PERMISSION OF DYTRAN INSTRUMENTS INC. IS PROHIBITED

REVISIONS

REV.	ECN	DESCRIPTION	BY/DATE	CHK	APPR
A	12770	INITIAL RELEASE	LA 06/21/16	MH	LA

1 CABLE LENGTH TOLERANCE

ENGLISH		[METRIC]	
≤1FT	+1/ -0 IN	≤0.3m	+25mm -0mm
>1 FT - 5 FT	+2/ -0 IN	.0.3 m-1.5m	+50mm -0mm
> 5 FT - 10 FT	+4/ -0 IN	>1.5m-3m	+100mm -0mm
>10 FT - 25FT	+6 / -0 IN	>3m-7.5m	+150mm -0mm
>25 FT	+5% / -0%	>7.5m	+5%/-0%

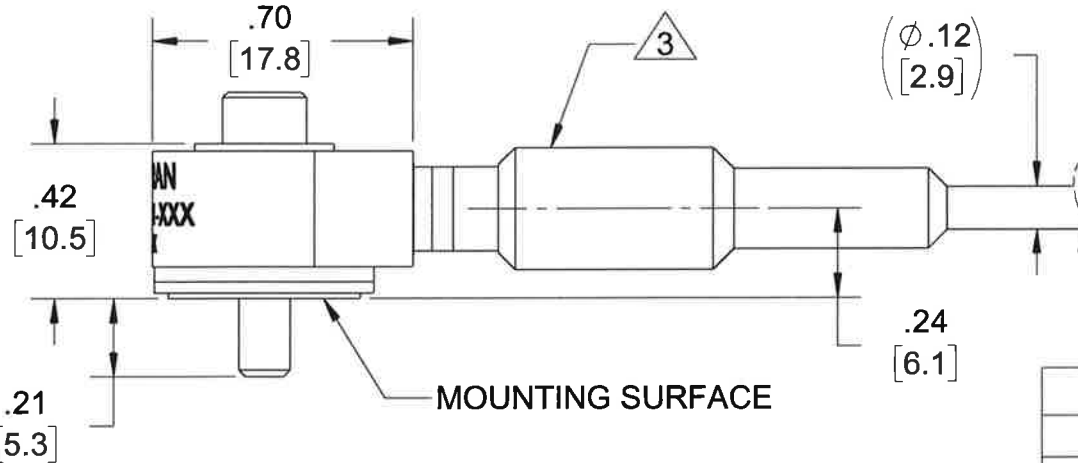
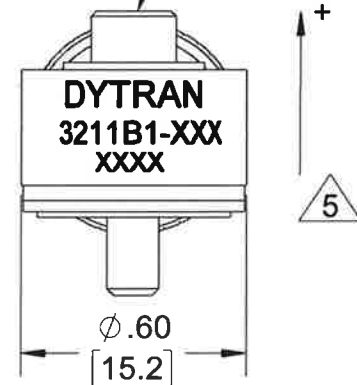


Ø.037 [.94] SAFETY WIRE HOLE

HEATSHRINK

C

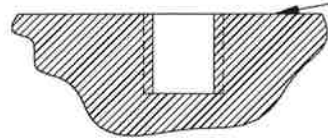
DYTRAN MODEL 6595 MOUNTING SCREW (SUPPLIED)



BNC PLUG CONNECTOR

B

MOUNTING RECOMMENDATIONS: PREPARE FLAT MOUNTING SURFACE Ø.60 [15.2] (Ø.50 [12.7] MIN), FLAT TO .001 TIR. DRILL AND TAP 8-32 UNC-2B ∇.300 [7.62] MIN. RECOMMENDED MOUNTING TORQUE: 15 LB IN +5/-0 LB IN. FOR BEST FREQUENCY RESPONSE ACCELEROMETER MUST CONTACT MOUNTING SURFACE OVER ENTIRE MOUNTING SURFACE OF ACCELEROMETER



2 CABLE SPECIFICATIONS

PRESSURE RATING	200 PSI [1.38 MPa] MAX.
VOLTAGE	600 VOLTS
MINIMUM BEND DIAMETER	6 IN. [152.4mm]
CONDUCTORS	26 AWG- 7/34, POLYPROPYLENE INSULATION, WHITE & BLACK
DRAIN WIRES	26 AWG- 7/34, WATERBLOCKED STRANDING
INNER JACKET	WHITE, POLYVINYL CHLORIDE (PVC)
OUTER JACKET	ORANGE, POLYURETHANE, Ø.115 IN. [2.92mm] NOM.
TEMPERATURE RATING	0 °C TO 100 °C
WEIGHT IN AIR	9 LB. / 1000 FT.
WEIGHT IN SEAWATER	4 LB. / 1000 FT.

A

- 6. HOUSING MATERIAL: TITANIUM.
- 5. ARROW INDICATES ACCELERATION DIRECTION FOR POSITIVE OUTPUT.
- 4. WEIGHT (LESS CABLE): 9.6 GRAMS.
- 3. MOLDED BOOT MATERIAL: POLYURETHANE.
- 2. SEE CABLE SPECIFICATION TABLE.
- 1. MODEL NUMBER: 3211B1-XX. "XX" DENOTES CABLE LENGTH IN FEET. SEE TABLE FOR CABLE LENGTH TOLERANCE.

NOTES: UNLESS OTHERWISE SPECIFIED

UNLESS OTHERWISE SPECIFIED: INTERPRET DIM & TOL PER ASME Y14.5M - 1994. REMOVE BURRS. COUNTERSINK INTERNAL THDS 90° TO MAJOR DIA. CHAM EXT THDS 45° TO MINOR DIA. THD LENGTHS AND DEPTHS ARE FOR MIN FULL THDS. DIMENSIONS APPLY AFTER FINISHING.

ALL MACHINED SURFACES. TOTAL RUNOUT WITHIN .005. BREAK SHARP EDGES .005 TO .010. MACHINED FILLET RADII .005 TO .015. WELDING SYMBOLS PER AWS A2.4. ABBREVIATIONS PER MIL-STD-12.

UNLESS OTHERWISE SPECIFIED: DIMENSIONS ARE IN INCHES. DIMENSIONS IN BRACKETS [] ARE IN MILLIMETERS TOLERANCES ARE: DECIMALS .XX ±.03 .XXX ±.010 METRIC .X ± 0.8 .XX ±0.25 ANGLES ±1°

APPROVALS		DATE
ORIG	LA	06/21/16
CHK	MH	07/05/16
APP	LA	7/2/16
DO NOT SCALE DRAWING		THIRD ANGLE PROJECTION



TITLE: OUTLINE/INSTALLATION DRAWING, MODEL 3211B1-XX

SIZE B	CAGE CODE 2W033	DWG NO 127-3211B1	REV A
SCALE: 1:1	SHEET 1 OF 1		



- HIGH FREQUENCY RESPONSE
- HERMETICALLY SEALED
- MOLDED INTEGRAL CABLE

This family also includes:

Model	Sensitivity (mV/g)	Frequency Response (Hz)	Time Constant (Sec)	Operating Temp (°F)

Refer to the performance specifications of the products in this family for detailed description

Supplied Accessories:

- 1) Accredited calibration certificate (ISO 17025)
- 2) Mounting screw model 6595, Qty 1

Notes:

- [1] Measured at 100Hz, 1 Grms per ISA RP 37.2.
- [2] Measure using zero-based straight line method, % of F.S. or any lesser range.
- [3] Do not apply power to this system without current limiting, 20 mA MAX. To do so will destroy the IC charge amplifier.
- [4] In the interest of constant product improvement, we reserve the right to change specifications without notice.

PHYSICAL

Weight (Less Cable)
Cable
Mounting Provision
Material, Housing
Sensing Element
Element Style

Type

ENGLISH		SI	
0.34	oz	9.6	grams
Integral to BNC		Integral to BNC	
8-32 Mtg Screw		8-32 Mtg Screw	
Titanium		Titanium	
Ceramic		Ceramic	
Shear		Shear	

PERFORMANCE

Sensitivity, ±5% [1]
Range for ±5 Volts Output
Frequency Response, ±5%
Resonant Frequency
Broad Band Resolution
Linearity [2]
Maximum Transverse Sensitivity
Strain Sensitivity @ 250µε

10	mV/g	1	mV/m/s ²
500	g	4905	m/s ²
1 to 10000	Hz	1 to 10000	Hz
> 31	kHz	> 31	kHz
0.001	Grms	0.01	m/s ² rms
±1	% F.S.	±1	% F.S.
5	%	5	%
0.04	g/µε	0.4	m/s ² /µε

ENVIRONMENTAL

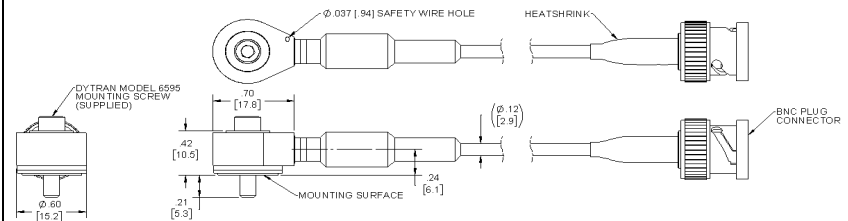
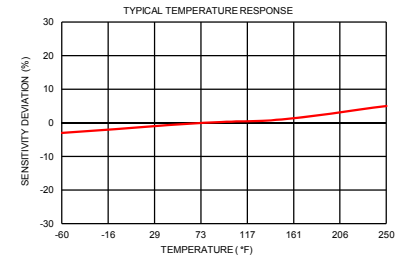
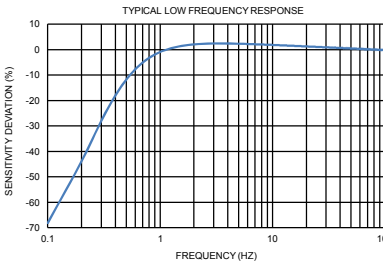
Maximum Vibration
Maximum Shock
Temperature Range
Seal

500	Gpeak	4905	m/s ² peak
5000	Gpeak	49050	m/s ² peak
-60 to 250	°F	-51 to 121	°C
Hermetic		Hermetic	

ELECTRICAL

Supply Current Range [3]
Compliance Voltage Range
Output Impedance, Typ.
Bias Voltage
Discharge Time Constant
Electrical Isolation

2 to 20	mA	2 to 20	mA
+18 to +20	Volts	+18 to +20	Volts
100	Ω	100	Ω
+11 to +13	VDC	+11 to +13	VDC
0.5 to 1.5	Sec	0.5 to 1.5	Sec
10	GΩ,min	10	GΩ,min



Units on the line drawing are in inches, units in brackets are in millimeters. Refer to 127-3211B1 for more information.

