

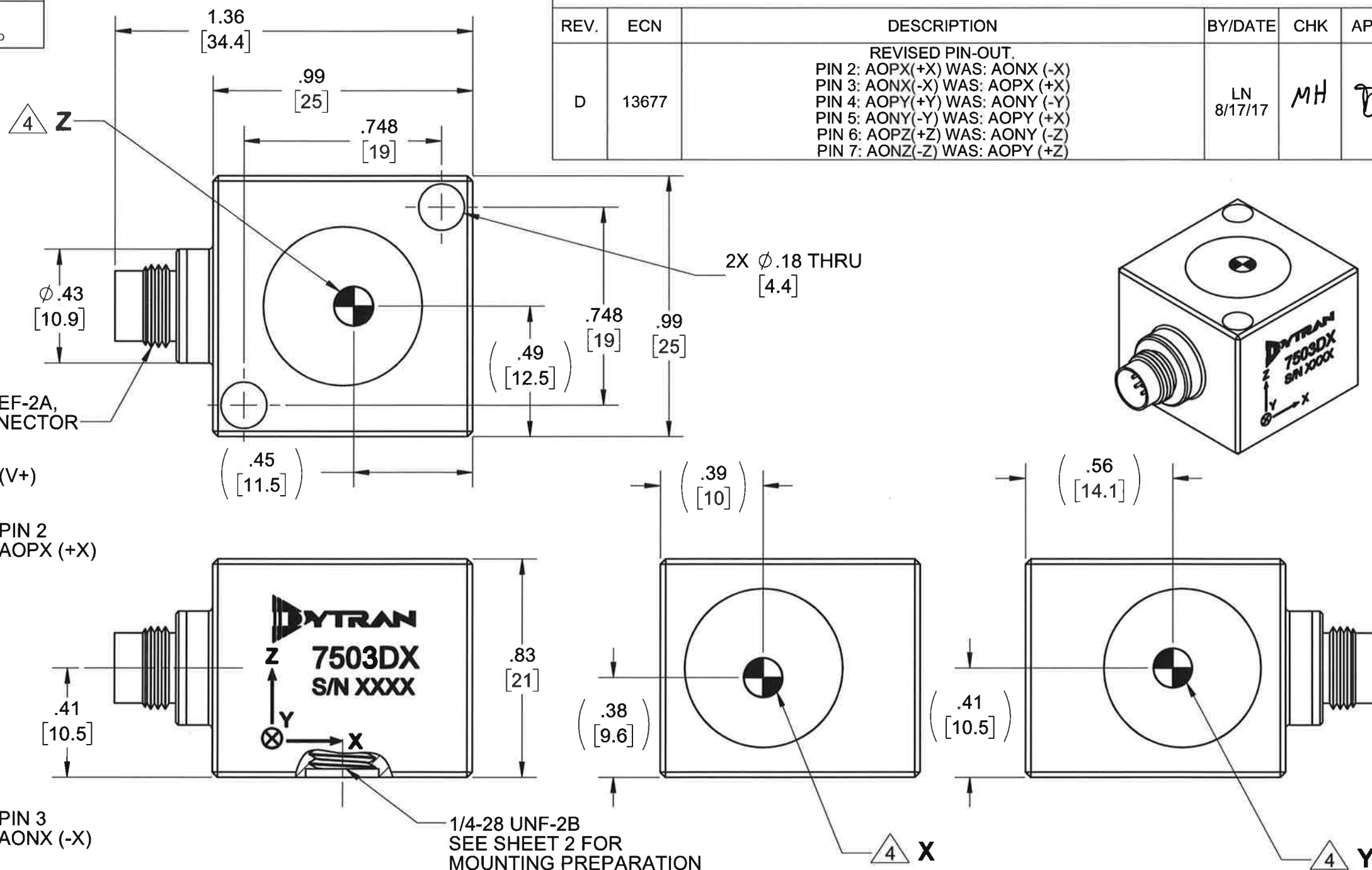
PROPRIETARY AND CONFIDENTIAL

THE INFORMATION CONTAINED IN THIS DRAWING IS THE SOLE PROPERTY OF DYTRAN INSTRUMENTS INC. ANY REPRODUCTION IN PART OR AS A WHOLE WITHOUT THE WRITTEN PERMISSION OF DYTRAN INSTRUMENTS INC. IS PROHIBITED

REVISIONS

REV.	ECN	DESCRIPTION	BY/DATE	CHK	APPR
D	13677	REVISED PIN-OUT. PIN 2: AOPX(+X) WAS: AONX (-X) PIN 3: AONX(-X) WAS: AOPX (+X) PIN 4: AOPY(+Y) WAS: AONY (-Y) PIN 5: AONY(-Y) WAS: AOPY (+X) PIN 6: AOPZ(+Z) WAS: AONY (-Z) PIN 7: AONZ(-Z) WAS: AOPY (+Z)	LN 8/17/17	MH	

MODEL	INPUT RANGE, X & Y AXES	INPUT RANGE, Z AXIS
7503D1	±2g	±2g
7503D2	±5g	±5g
7503D3	±10g	±10g
7503D4	±25g	±25g
7503D5	±50g	±50g
7503D6	±100g	±100g
7503D7	±200g	±200g
7503D8	±400g	±400g
7503D9	±5g	±25g
7503D10	±5g	±50g



5. MINOR VOIDS, SCARS, SCRATCHES AND MOUNTING BLEMISH/WITNESS MARKS ON EXTERIOR SURFACES ARE ALLOWED DUE TO RESTRAINING AND HANDLING DURING TESTING, TRANSPORT OR PROCESSING. THESE APPEAR AS INDICATORS THAT DO NOT AFFECT FORM, FIT OR FUNCTION AS INTENDED BY DESIGN OR APPLICATION

4 MARKING DENOTES LOCATION OF SENSING ELEMENT'S CENTER OF MASS

3 MATES WITH DYTRAN 6964AXX CABLE (XX DENOTES LENGTH IN FT)

2. WEIGHT: 38 GRAMS, MAX.

1. MATERIAL: TITANIUM ALLOY.

NOTES: UNLESS OTHERWISE SPECIFIED

UNLESS OTHERWISE SPECIFIED: INTERPRET DIM & TOL PER ASME Y14.5M - 1994. REMOVE BURRS. COUNTERSINK INTERNAL THDS 90° TO MAJOR DIA. CHAM EXT THDS 45° TO MINOR DIA. THD LENGTHS AND DEPTHS ARE FOR MIN FULL THDS. DIMENSIONS APPLY AFTER FINISHING.		UNLESS OTHERWISE SPECIFIED: DIMENSIONS ARE IN INCHES. DIMENSIONS IN BRACKETS [ ] ARE IN MILLIMETERS TOLERANCES ARE: DECIMALS METRIC ANGLES .XX ±.03 .X ± 0.8 ±1° .XXX ±.010 .XX ±0.25		<p>Chatsworth, CA</p>	
APPROVALS		DATE		TITLE: <b>OUTLINE/INSTALLATION DWG, TRIAXIAL DC ACCELEROMETER, 7503D SERIES</b>	
ORIG	LN	12/01/14		SIZE B	
CHK	JS	02/12/15		CAGE CODE 2W033	
APP	DV	02/16/15		DWG NO 127-7503D	
DO NOT SCALE DRAWING		THIRD ANGLE PROJECTION USA		REV D	
SCALE: 1:1				SHEET 1 OF 2	

**PROPRIETARY AND CONFIDENTIAL**

THE INFORMATION CONTAINED IN THIS DRAWING IS THE SOLE PROPERTY OF DYTRAN INSTRUMENTS INC. ANY REPRODUCTION IN PART OR AS A WHOLE WITHOUT THE WRITTEN PERMISSION OF DYTRAN INSTRUMENTS INC. IS PROHIBITED

D

D

C

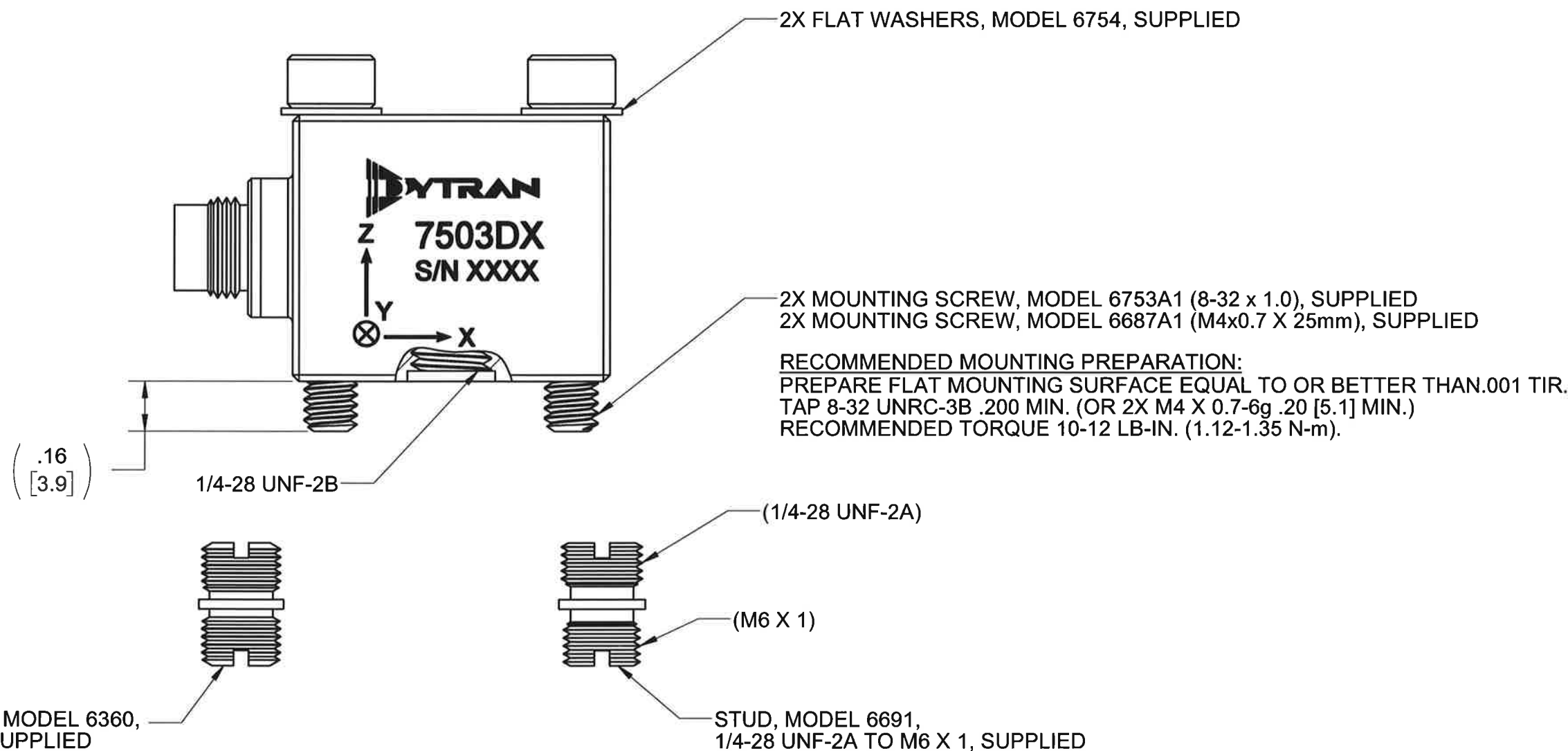
C

B

B

A

A

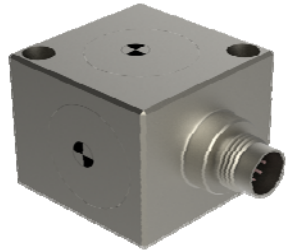


**RECOMMENDED MOUNTING PREPARATION: MODEL 6360**  
PREPARE MOUNTING SURFACE,  $\phi 1.25$  [31.2] MIN, FLAT TO .001 TIR.  
TAP 1/4-28 UNF-2B  $\nabla$  .200 [5.1] MIN. TORQUE TO 12-15 Lb-in.

**RECOMMENDED MOUNTING PREPARATION: MODEL 6691**  
PREPARE MOUNTING SURFACE,  $\phi 1.25$  [31.2] MIN, FLAT TO .001 TIR.  
TAP M6 X 1  $\nabla$  .200 [5.1] MIN. TORQUE TO 12-15 Lb-in.

		<b>MASTER</b>	
Chatsworth, CA		ONLY IF IN RED	
TITLE: <b>OUTLINE/INSTALLATION DWG, TRIAxIAL DC ACCELEROMETER, 7503D SERIES</b>			
SIZE <b>B</b>	CAGE CODE <b>2W033</b>	DWG NO <b>127-7503D</b>	REV <b>D</b>
SCALE: 2:1		SHEET 2 OF 2	

<b>Model Number</b> 7503D3	<b>PERFORMANCE SPECIFICATION</b>	<b>DOC NO</b> PS7503D3
	<b>TRIAxIAL VARIABLE CAPACITANCE ACCELEROMETER</b>	REV G, ECN 14203, 05/29/18



- VARIABLE CAPACITANCE TECHNOLOGY
- ± 4V DIFFERENTIAL OUTPUT
- HERMETICALLY SEALED
- DC RESPONSE

**This family also includes:**

Model	Input Range (g)	Frequency response (Hz)	Sensitivity Differential, ±5% (mV/g)	Max.Shock (0.1ms)	Noise Differential (µg/√Hz)
7503D1	±2	0-300	2,000	2000	7
7503D2	±5	0-400	800	2000	12
7503D4	±25	0-900	160	5000	25
7503D5	±50	0-1200	80	5000	50
7503D6	±100	0-1400	40	5000	100
7503D7	±200	0-1750	20	5000	200
7503D8	±400	0-2000	10	5000	400
7503D9	±5(X&Y), ±25(Z)	0-400(X&Y), 0-900(Z)	800(X&Y), 160(Z)	2000	12(X&Y), 25(Z)
7503D10	±5(X&Y), ±50(Z)	0-400(X&Y), 0-1200(Z)	800(X&Y), 80(Z)	2000	12(X&Y), 50(Z)

**PHYSICAL**

	ENGLISH		SI	
Weight, Max	1.3	oz	38	grams
Connector	9-pin, 5/16-32 UNEF-2A		9-pin, 5/16-32 UNEF-2A	
Material	Titanium Alloy		Titanium Alloy	
Sensing Technology	MEMS		MEMS	

**PERFORMANCE**

	ENGLISH		SI	
Input Range	±10	g	±98.1	m/s <sup>2</sup>
Frequency Response (3dB), Nom	0 - 600	Hz	0 - 600	Hz
Resonant Frequency	>3000	Hz	>3000	Hz
Sensitivity Differential, ±5% [1]	400	mV/g	41	mV/m/s <sup>2</sup>
Output Noise, Differential, Typ	18	µg rms/√Hz	177	µ m/s <sup>2</sup> /√Hz
Non-Linearity, Max [2]	0.5	% F.S	0.5	% F.S
Cross Axis Sensitivity, Max	3	%	3	%
Scale Factor Calibration Error, Max.	1	%	1	%
Zero Measured Output	±50	mV	±50	mV

**ENVIRONMENTAL**

	ENGLISH		SI	
Maximum Mechanical Shock (0.1 ms)	±5000	gpk	±49050	m/s <sup>2</sup> peak
Bias Temperature Shift, Max [3]	111	(ppm of span)/°F	200	(ppm of span)/°C
Bias Calibration Error, Max	0.5	% of span	0.5	% of span
Operating Temperature Range	-40 to +257	°F	-40 to +125	°C
Scale Factor Temperature Shift [3]	-111 to +111	ppm/°F	-200 to +200	ppm/°C
Seal	Hermetic		Hermetic	

**ELECTRICAL**

	ENGLISH		SI	
Output Common Mode Voltage, Typ	2.5	VDC	2.5	VDC
Output Impedance	<10K	Ω	<10K	Ω
Operating Voltage	+9 to +36	VDC	+9 to +36	VDC
Operating Current (AOP & AON open), Max	35	mA Dc	35	mA Dc
Power Supply Rejection Ratio	>65	dB	>65	dB
Ground Isolation	>30	MΩ	>30	MΩ

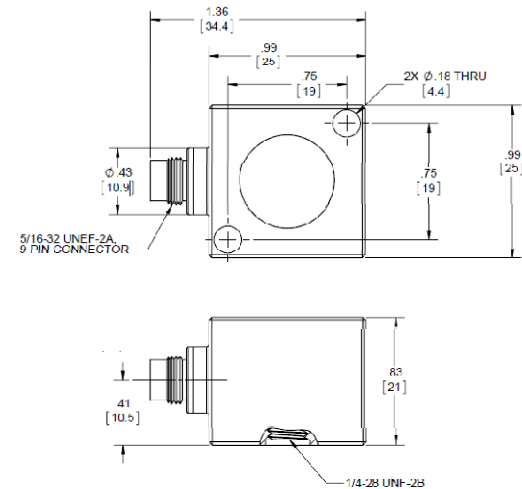
Refer to the performance specifications of the products in this family for detailed description.

**Supplied Accessories:**

- 1) Accredited calibration certificate (ISO 17025)
- 2) Mounting stud, Model 6360, 1/4-28 UNF-2A, Qty 1
- 3) Mounting stud, Model 6691, 1/4-28 UNF-2A to M6 X 1, Qty 1
- 4) Mounting screws, Model 6753A1, 8-32 x 1.0, Qty. 2
- 5) Mounting screws, Model 6687A1, M4x0.7 x 25mm, Qty. 2
- 6) Flat washers, Model 6754, Qty. 2

**Notes:**

- [1] Single ended sensitivity is half of values shown. (Ref. at 100 Hz)
- [2] -90% to +90% of Full Scale.
- [3] Over the rated temperature range.
- [4] In the interest of constant product improvement, we reserve the right to change specifications without notice.



Units on the line drawing are in inches. Refer to 127-7503D for more information.



21592 Marilla Street, Chatsworth, California 91311 Phone: 818.700.7818 Fax:818.700.7880 www.dytran.com  
For permission to reprint this content, please contact info@dytran.com